

GLOBE VALVE: THREADED X FLANGED (B16.24) SAMPLER

Stainless Steel

FEATURES

- ◆ 200WOG globe valve
- ◆ Working pressure: 200PSI*
- ◆ Rising stem
- ◆ Disc: ASTM A351 CF8M
- ◆ Body: ASTM A351 CF8M
- ◆ Seat: 316SS
- ◆ Threaded bonnet
- ◆ Flange: 316SS Class 150 ANSI B16.24
- ◆ Sampler: 3/8" 304SS
- ◆ Square-head pipe plug: brass
- ◆ Adjustable stem packing
- ◆ Temperature range: -58°F to 350°F
(-50°C to 176°C)
- ◆ Test standard: API 598
- ◆ Open/close position indicator

OPTION

- ◆ Square-head pipe plug:
available in 304SS/316SS
- ◆ Flange: available in 304SS
- ◆ Padlocking device
- ◆ Graduated open/close
position indicator



* Flanged assemblies: the pressure capacity of valve and flange assembly is restricted to the flange and not the valve.

GLOBE VALVE: THREADED X FLANGED (B16.24) SAMPLER

Stainless Steel

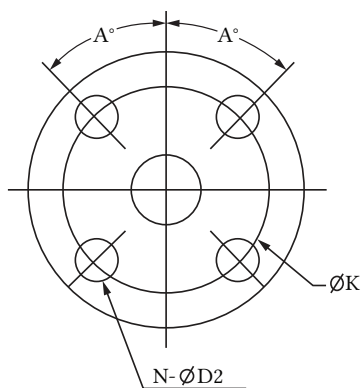
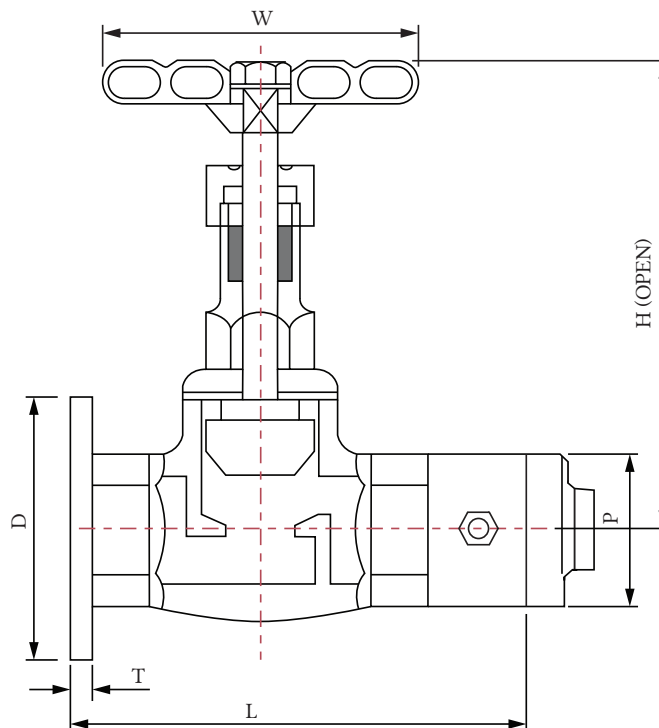
DIMENSIONS

| SIZE | L+/-5 | D | K | H | N | D2 | P | W | T | a |
|--------|-------|-------|-------|-----|---|----|------------|-------|-------|----|
| 1" | 132 | 108 | 79 | 102 | 4 | 16 | NPT 1" | 76.5 | 9.5 | 45 |
| 1 1/2" | 158 | 127 | 99 | 136 | 4 | 16 | NPT 1 1/2" | 103.5 | 11 | 45 |
| 2" | 181 | 152.4 | 120.6 | 156 | 4 | 19 | NPT 2" | 121 | 12.75 | 45 |

* All dimensions recorded in millimeters

MATERIALS LIST

| No | PART | MATERIAL | QTY |
|----|---------------|-----------------|-----|
| 1 | NUT | 304SS | 1 |
| 2 | HANDWHEEL | 400SS | 1 |
| 3 | STEM | ASTM A276 316SS | 1 |
| 4 | GLAND NUT | ASTM A351 CF8M | 1 |
| 5 | GLAND | ASTM A351 CF8M | 1 |
| 6 | GLAND PACKING | PTFE | 1 |
| 7 | BONNET | ASTM A351 CF8M | 1 |
| 8 | GASKET | PTFE | 1 |
| 9 | BODY | ASTM A351 CF8M | 1 |
| 10 | DISC | ASTM A351 CF8M | 1 |
| 11 | PIPE PLUG | BRASS | 1 |
| 12 | FLANGE | 316SS | 1 |
| 13 | SAMPLER | 304SS | 1 |
| 14 | EXTENSION | 316SS | 1 |



Holes applied evenly,
symmetrically to the axis.

THERMOFLEX

Thermoflex 2136 Rue Léger, LaSalle, Québec, H8N 2L8, Canada

1-888-352-3414 514-367-1444 514-367-3193

thermoflex@bellnet.ca thermoflex.ca