

GLOBE VALVE: THREADED X FLANGED (B16.24) SAMPLER

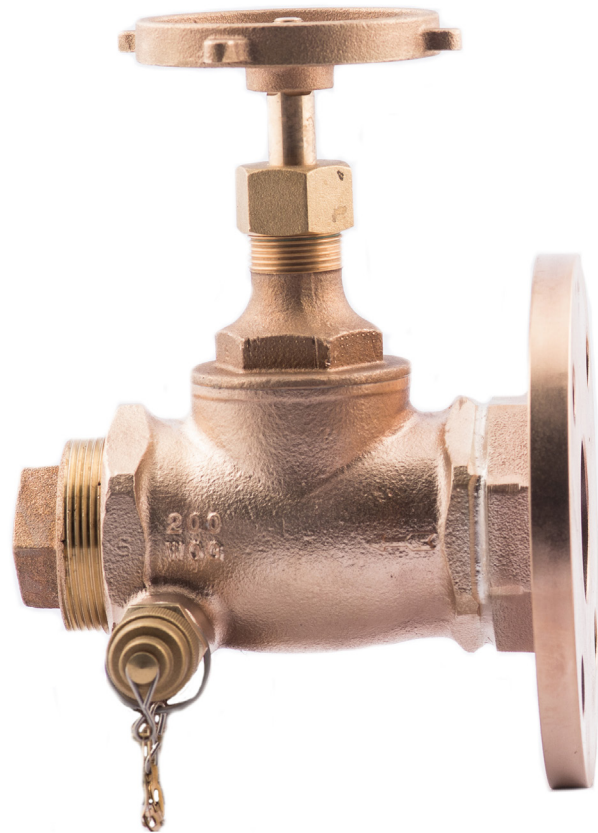
Brass

FEATURES

- ◆ 200WOG globe valve
- ◆ Rising stem
- ◆ Disc: teflon
- ◆ Body: ASTM B62
- ◆ Threaded bonnet
- ◆ Gland packed
- ◆ Flange: brass/cast bronze Class 150 ANSI 16.24
- ◆ Square head pipe plug: brass
- ◆ 3/8" sampler boss
- ◆ Temperature range: -50°F to 250°F (-45.5°C to 121°C)
- ◆ Test standard: MSS SP-80
- ◆ Open/close position indicator

OPTION

- ◆ Padlocking device
- ◆ Graduated open/close position indicator
- ◆ 3/8" brass sampling device
- ◆ 3/8" brass pipe plug



* Flanged assemblies: the pressure capacity of valve and flange assembly is restricted to the flange and not the valve.

GLOBE VALVE: THREADED X FLANGED (B16.24) SAMPLER

Brass

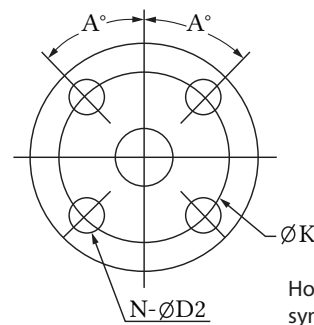
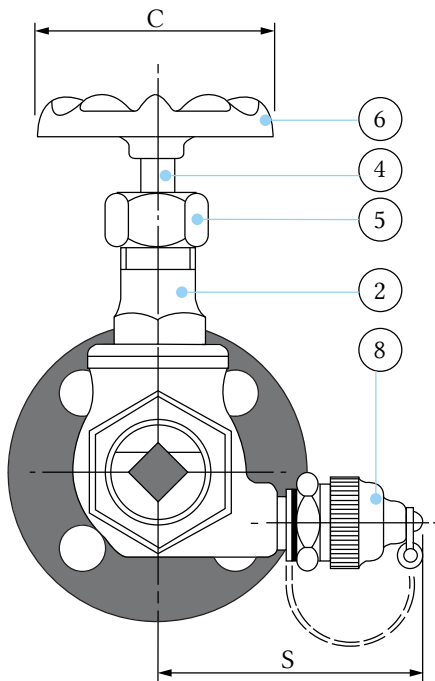
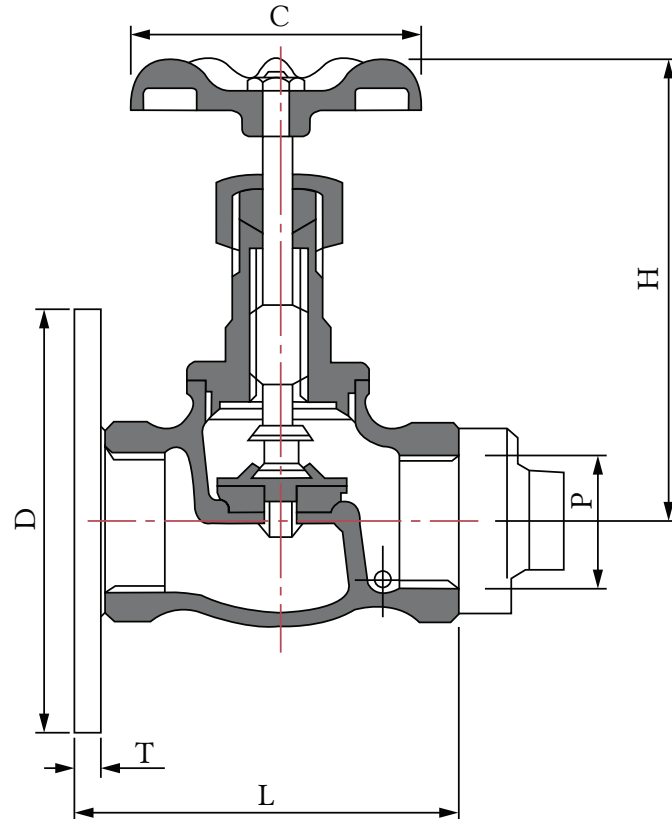
DIMENSIONS

| SIZE | L+/-5 | D | K | H | N | D2 | P | C | T min | a | S |
|--------|-------|-----|-------|-------|---|----|------------|-------|-------|----|------|
| 1" | 103 | 108 | 79 | 111 | 4 | 16 | NPT 1" | 70 | 9.5 | 45 | 81 |
| 1 1/2" | 115 | 127 | 99 | 146 | 4 | 16 | NPT 1 1/2" | 95 | 11 | 45 | 87.3 |
| 2" | 140 | 152 | 120.6 | 171.5 | 4 | 19 | NPT 2" | 101.6 | 12.75 | 45 | 93 |

* All dimensions recorded in millimeters

MATERIALS LIST

| No | PART | MATERIAL | QTY |
|----|----------------------------|-----------------------------|-----|
| 1 | BODY | BRONZE ASTM B62 | 1 |
| 2 | BONNET | BRONZE ASTM B62 | 1 |
| 3 | DISC HOLDER | BRASS ASTM B283 C37700 | 1 |
| 4 | STEM | BRASS ASTM B283 C37700 | 1 |
| 5 | STUFF NUT | BRASS ASTM B283 C37700 | 1 |
| 6 | HAND WHEEL | BRONZE ASTM B62 | 1 |
| 7 | DISC | PTFE | 1 |
| 8 | NAME PLATE | ALUMINUM | 1 |
| 9 | SAMPLING DEVICE OPTION* | BRASS PRECISION MACHINED | 1 |



Holes applied evenly,
symmetrically to the axis.

THERMOFLEX

Thermoflex 2136 Rue Léger, LaSalle, Québec, H8N 2L8, Canada

1-888-352-3414 514-367-1444 514-367-3193

thermoflex@bellnet.ca thermoflex.ca