

GLOBE VALVE: THREADED X FLANGED (B16.24)

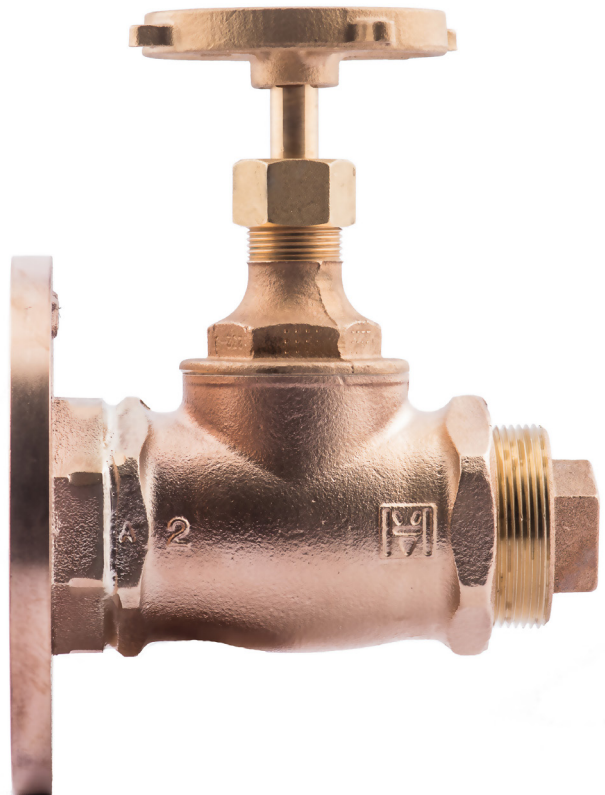
Brass

FEATURES

- ◆ 200WOG globe valve
- ◆ Rising stem
- ◆ Disc: teflon
- ◆ Body: ASTM B62
- ◆ Threaded bonnet
- ◆ Gland packed
- ◆ Flange: brass/cast bronze Class 150 ANSI 16.24
- ◆ Square head pipe plug: brass
- ◆ Temperature range: -50°F to 250°F (-45.5°C to 121°C)
- ◆ Test standard: MSS SP-80
- ◆ Open/close position indicator

OPTION

- ◆ Padlocking device
- ◆ Graduated open/close position indicator



* Flanged assemblies: the pressure capacity of valve and flange assembly is restricted to the flange and not the valve.

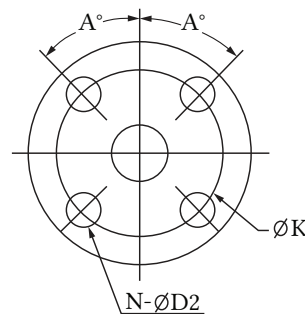
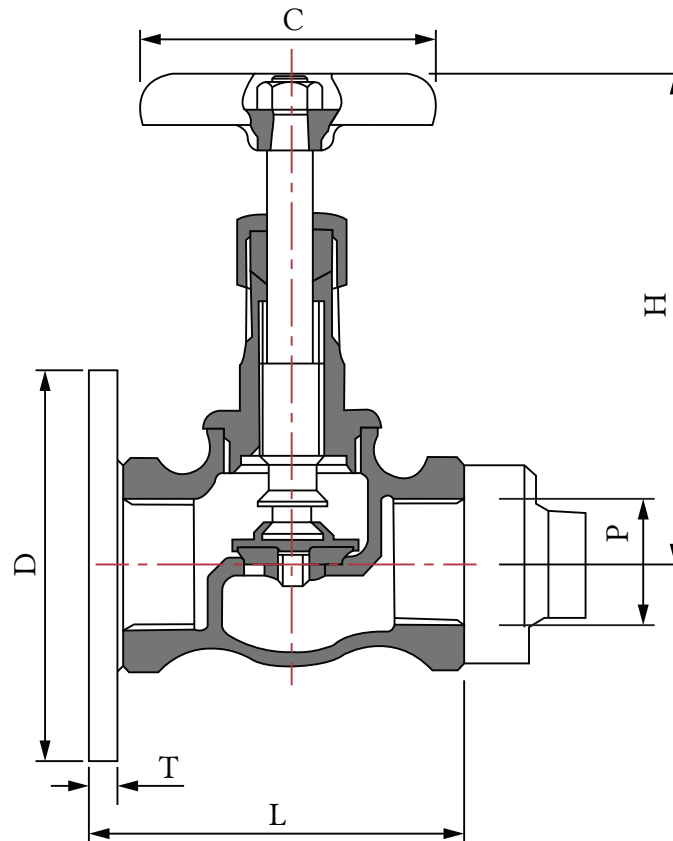
GLOBE VALVE: THREADED X FLANGED (B16.24)

Brass

DIMENSIONS										
SIZE	L+/-5	D	K	H	N	D2	P	C	T min	a
1/2"	81	89	60.4	92	4	16	NPT 1/2"	54	8	45
3/4"	93	99	70	84	4	16	NPT 3/4"	70	8.75	45
1"	103	108	79	111	4	16	NPT 1"	70	9.5	45
1 1/2"	115	127	99	146	4	16	NPT 1 1/2"	95	11	45
2"	140	152	120.6	171.5	4	19	NPT 2"	101.6	12.75	45

* All dimensions recorded in millimeters

MATERIALS LIST			
No	PART	MATERIAL	QTY
1	BODY	BRONZE ASTM B62	1
2	BONNET	BRONZE ASTM B62	1
3	DISC HOLDER	BRASS ASTM B283 C37700	1
4	STEM	BRASS ASTM B283 C37700	1
5	STUFF NUT	BRASS ASTM B283 C37700	1
6	HAND WHEEL	BRONZE ASTM B62	1
7	DISC	PTFE	1
8	NAME PLATE	ALUMINUM	1



Holes applied evenly, symmetrically to the axis.

THERMOFLEX

Thermoflex 2136 Rue Léger, LaSalle, Québec, H8N 2L8, Canada

1-888-352-3414 514-367-1444 514-367-3193

thermoflex@bellnet.ca thermoflex.ca