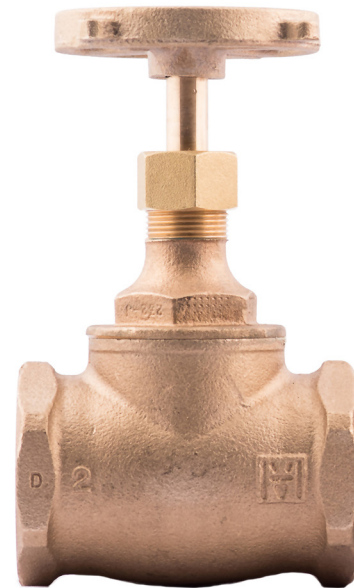


## GLOBE VALVE: THREADED

Brass

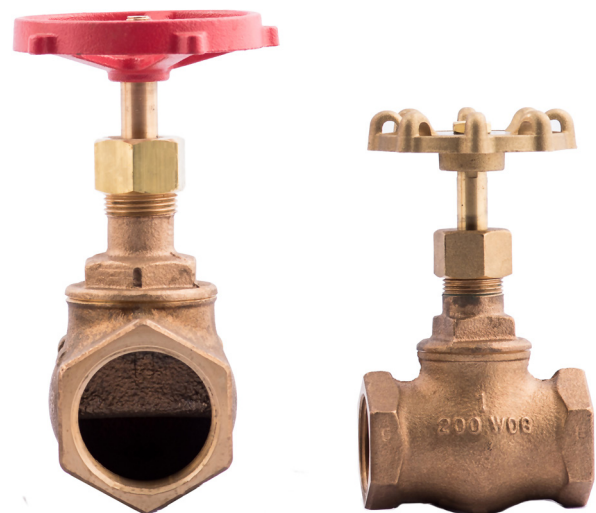
### FEATURES

- ◆ 200WOG globe valve
- ◆ Rising stem
- ◆ Disc: teflon
- ◆ Body: ASTM B62
- ◆ Threaded bonnet
- ◆ Gland packed
- ◆ NPT threaded end connections  
Class 125
- ◆ Temperature range: -50°F to 250°F  
(-45.5°C to 121°C)
- ◆ Test standard: MSS SP-80
- ◆ Open/close position indicator



### OPTION

- ◆ Padlocking device
- ◆ Graduated open/close  
position indicator



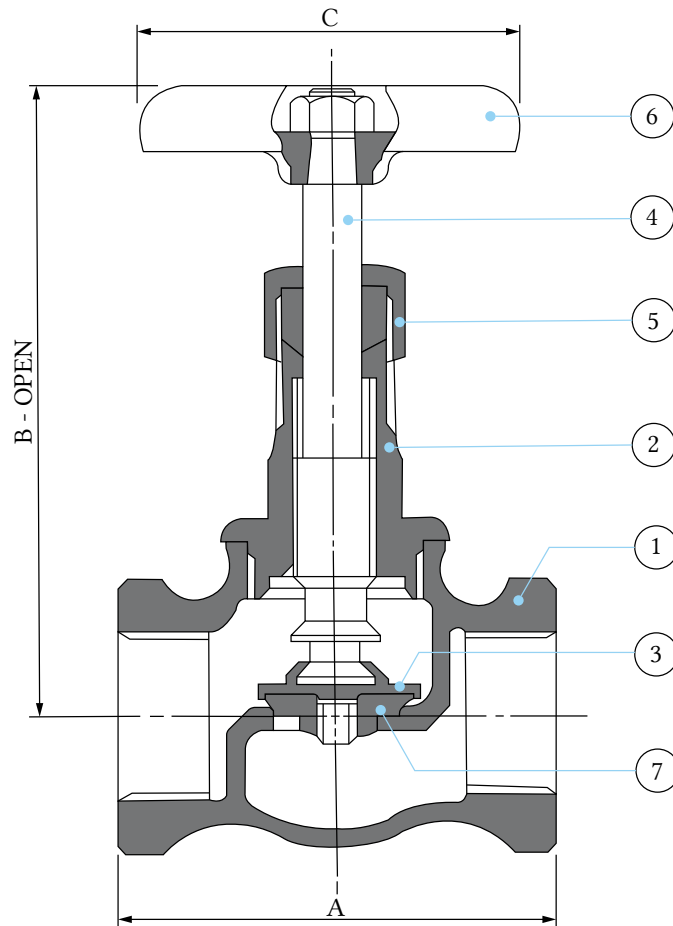
# GLOBE VALVE: THREADED

Brass

DIMENSIONS			
SIZE	A	B	C
½"	51.6	92	54
¾"	65	84	70
1"	74.6	111	70
1 ½"	93.6	146	95
2"	112.7	171.5	101.6

\* All dimensions recorded in millimeters

MATERIALS LIST			
No	PART	MATERIAL	QTY
1	BODY	BRONZE ASTM B62	1
2	BONNET	BRONZE ASTM B62	1
3	DISC HOLDER	BRASS ASTM B283 C37700	1
4	STEM	BRASS ASTM B283 C37700	1
5	STUFF NUT	BRASS ASTM B283 C37700	1
6	HAND WHEEL	BRONZE ASTM B62	1
7	DISC	PTFE	1
8	NAME PLATE	ALUMINUM	1



# THERMOFLEX

Thermoflex 2136 Rue Léger, LaSalle, Québec, H8N 2L8, Canada

☎ 1-888-352-3414 514-367-1444 🖨 514-367-3193

✉ thermoflex@bellnet.ca 🌐 thermoflex.ca