

GATE VALVE: THREADED

Stainless Steel

FEATURES

- ◆ Full port 200WOG gate valve
- ◆ Working pressure: 200PSI
- ◆ Non-rising stem
- ◆ Disc: ASTM A351 CF8M
- ◆ Body: ASTM A351 CF8M
- ◆ Threaded bonnet
- ◆ Adjustable stem packing
- ◆ NPT threaded end connections
- ◆ Temperature range: -58°F to 350°F (-50°C to 176°C)
- ◆ Test standard: API 598
- ◆ Open/close position indicator

OPTION

- ◆ Padlocking device
- ◆ Graduated open/close position indicator



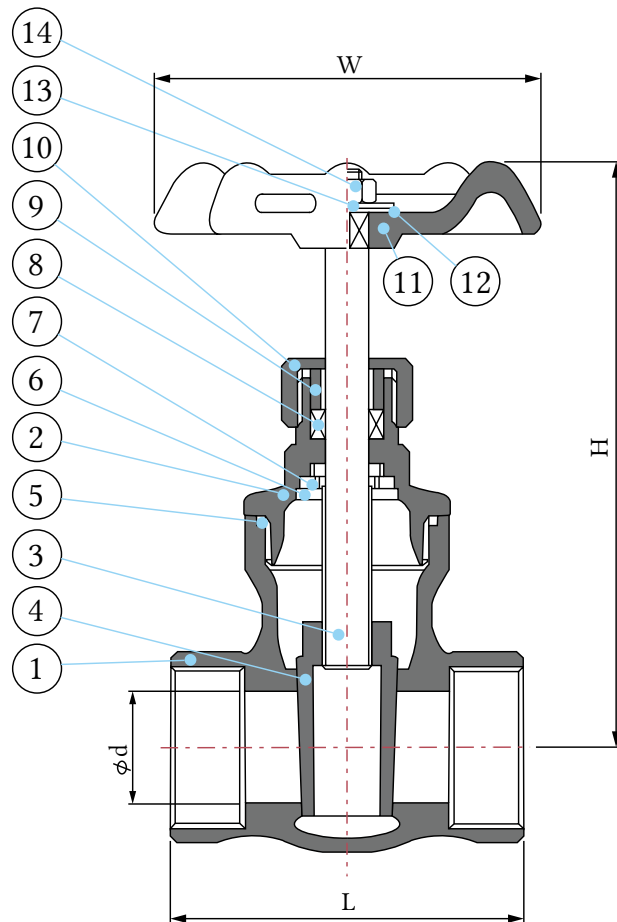
GATE VALVE: THREADED

Stainless Steel

DIMENSIONS						
SIZE	d	W	H	L	CV	WT
½"	16.1	70	98.6	57	15	1.15
¾"	20.3	70	103	60.5	37	1.39
1"	26	76.5	115	67	72	1.78
1 ½"	31.8	103.5	173	87	165	4.41
2"	50.3	121	189	95	320	6.21

* All dimensions recorded in millimeters

MATERIALS LIST			
No	PART	MATERIAL	QTY
1	BODY	ASTM A351 CF8M	1
2	BONNET	ASTM A351 CF8M	1
3	STEM	ASTM A276 316SS	1
4	DISC	ASTM A351 CF8M	1
5	GASKET	PTFE	1
6	STOP RING	304SS	1
7	STEM HOLDER	316SS	1
8	STEM PACKING	PTFE	1
9	GLAND	304SS	1
10	GLAND NUT	316SS	1
11	HAND WHEEL	400SS	1
12	INDICATOR PLATE	ALUMINUM	1
13	HAND WHEEL WASHER	304SS	1
14	HAND WHEEL NUT	304SS	1



THERMOFLEX

Thermoflex 2136 Rue Léger, LaSalle, Québec, H8N 2L8, Canada

☎ 1-888-352-3414 514-367-1444 📠 514-367-3193

✉ thermoflex@bellnet.ca 🌐 thermoflex.ca