

GATE VALVE RS: FLANGED X FLANGED – CLASS 150 (B16.24/B16.10)

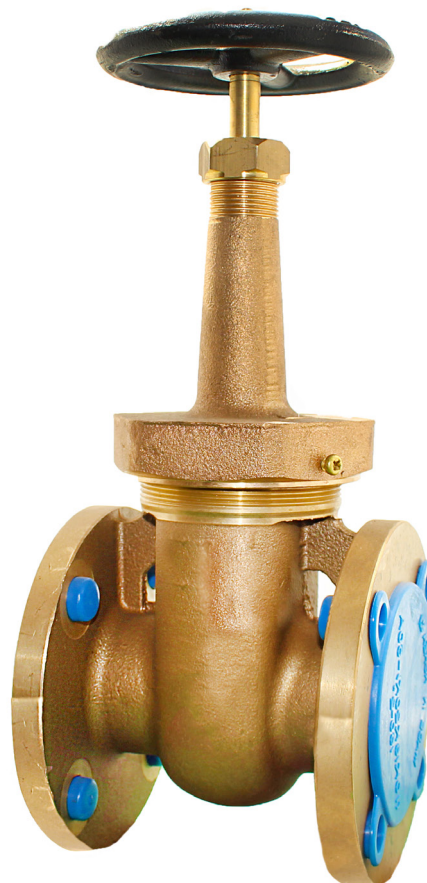
Brass

FEATURES

- ◆ Full port Class 150 gate valve
- ◆ Rising stem (RS) union bonnet
- ◆ Disc: ASTM B62
- ◆ Body: ASTM B62
- ◆ Stem: ASTM B124
- ◆ Packing: PTFE
- ◆ Temperature range: -50°F to 250°F (-45.5°C to 121°C)
- ◆ Face to face: ANSI B16.10
- ◆ Flange: Class 150 ANSI 16.24
- ◆ Open/close position indicator

OPTION

- ◆ Padlocking device
- ◆ Graduated open/close position indicator
- ◆ Sampling device



These valves are also available in cast steel; dimensions can be specified in Metric, U.S. Standard or JIS.

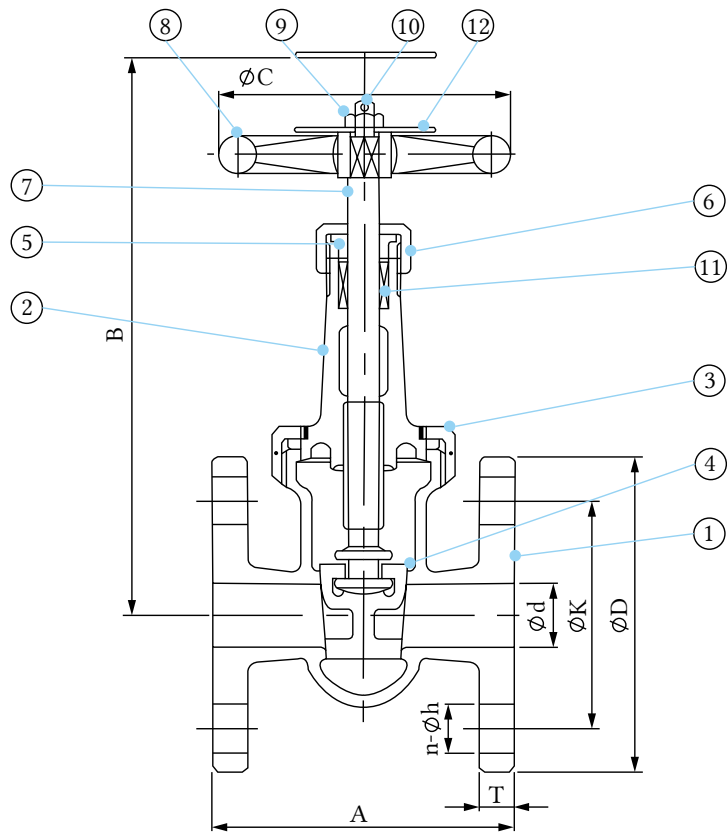
GATE VALVE RS: FLANGED X FLANGED – CLASS 150 (B16.24/B16.10)

Brass

DIMENSIONS									
SIZE	d	A	D	K	n	h	T	B	C
½"	15	108	88.9	60.3	4	15.9	7.9	175	80
¾"	20	117	98.4	69.9	4	15.9	8.7	200	80
1"	25	127	108	79.4	4	15.9	9.5	220	100
1 ¼"	32	140	117.5	88.9	4	15.9	10.3	250	100
1 ½"	40	165	127	98.4	4	15.9	11.1	290	125
2"	50	177.8	152.4	120.7	4	19	12.7	320	125
2 ½"	65	190.5	177.8	139.7	4	19	14.3	350	140
3"	80	203.2	190.5	152.4	4	19	15.9	380	140

* All dimensions recorded in millimeters

MATERIALS LIST			
No	PART	MATERIAL	QTY
1	BODY	BRONZE ASTM B62	1
2	BONNET	BRONZE ASTM B62	1
3	BONNET NUT	BRONZE ASTM B62	1
4	DISC	BRONZE ASTM B62	1
5	PACKING GLAND	ASTM B16	1
6	PACKING GLAND NUT	FORGED BRASS	1
7	STEM	ASTM B124	1
8	HAND WHEEL	ASTM A126	1
9	HEXAGON NUT	ASTM B16	1
10	SPLIT PIN	BRASS	1
11	PACKING	PTFE	1
12	NAME PLATE	ALUMINUM	1



THERMOFLEX

Thermoflex 2136 Rue Léger, LaSalle, Québec, H8N 2L8, Canada

1-888-352-3414 514-367-1444 514-367-3193

thermoflex@bellnet.ca thermoflex.ca