

BALL VALVE: 3-PIECE THREADED X FLANGED (B16.5) SAMPLER

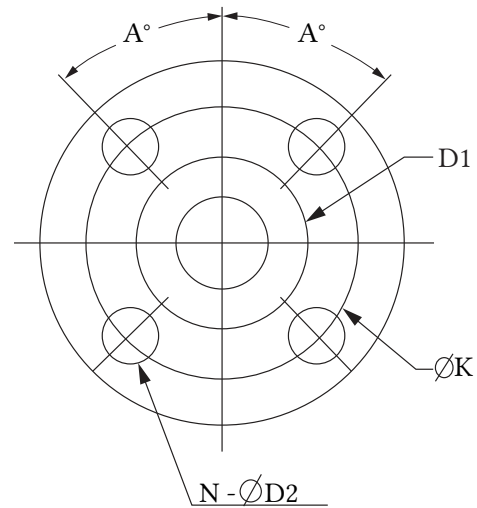
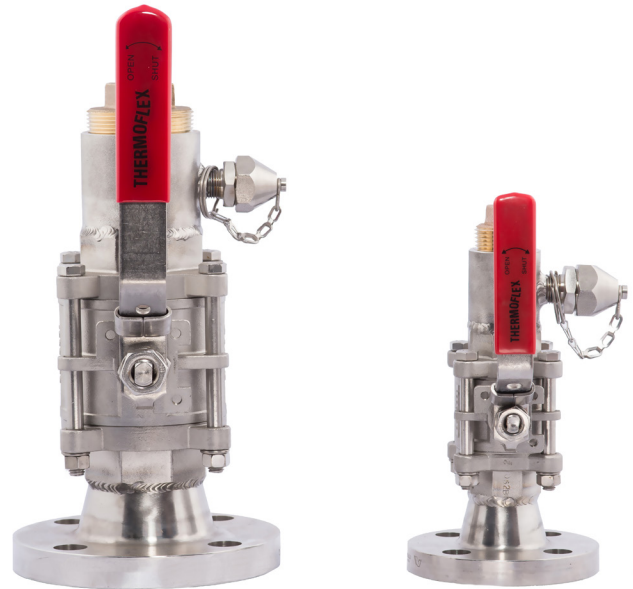
Stainless Steel

FEATURES

- ◆ Full port 1000WOG* ball valve
- ◆ Steam rating: 150PSI* WSP
- ◆ Blow-out-proof stem
- ◆ ISO 5211 actuator mounting pad
- ◆ Body: ASTM A351 CF8M
- ◆ Ball: ASTM A351 CF8M
- ◆ Stem: ASTM A276 316SS
- ◆ Flange: 316SS Class 150 ANSI B16.5
- ◆ Square-head pipe plug: brass
- ◆ Sampler: 3/8" 304SS
- ◆ Adjustable stem packing
- ◆ Seat: reinforced teflon (RTFE)
- ◆ Working pressure: 150PSI*
- ◆ Temperature range: -58°F to 450°F (-50°C to 232°C)
- ◆ Test standard: API 598
- ◆ Padlocking device
- ◆ Open/close position indicator

OPTION

- ◆ Socket weld X flanged
- ◆ Butt weld X flanged
- ◆ Square-head pipe plug: available in 304SS/316SS
- ◆ Flange: available in 304SS



Holes applied evenly, symmetrically to the axis.

* Flanged assemblies: the pressure capacity of valve and flange assembly is restricted to the flange and not the valve.

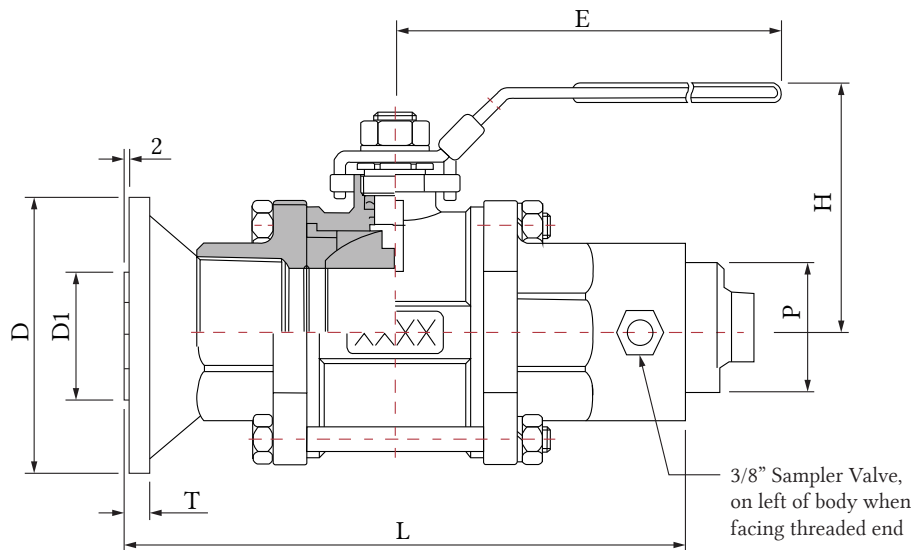
BALL VALVE: 3-PIECE THREADED X FLANGED (B16.5) SAMPLER

Stainless Steel

| DIMENSIONS | | | | | | | | | | | |
|------------|-------|-------|-------|------|-------|---|----|------------|-------|------|----|
| SIZE | L+/-5 | D | K | D1 | H+/-5 | N | D2 | P | E+/-5 | T | a |
| 1" | 184 | 108 | 79 | 50.8 | 70 | 4 | 16 | NPT 1" | 125 | 14.2 | 45 |
| 1 1/2" | 218.5 | 127 | 99 | 73.2 | 95 | 4 | 16 | NPT 1 1/2" | 150 | 17.2 | 45 |
| 2" | 249 | 152.4 | 120.6 | 92 | 100 | 4 | 19 | NPT 2" | 195 | 19 | 45 |
| 3" | 319.5 | 190.5 | 152.5 | 127 | 135 | 4 | 19 | NPT 3" | 275 | 23.9 | 45 |

* All dimensions recorded in millimeters

| MATERIALS LIST | | |
|----------------|-----------------|-----|
| PART | MATERIAL | QTY |
| BODY | ASTM A351 CF8M | 1 |
| CAP | ASTM A351 CF8M | 2 |
| BALL | ASTM A351 CF8M | 1 |
| STEM | ASTM A276 316SS | 1 |
| SEAT | RTFE (+15% GF) | 2 |
| PACKING | PTFE | 1 |
| GLAND | 304SS | 1 |
| END SEALS | PTFE | 2 |
| THRUST WASHER | PTFE | 1 |
| HANDLE | 304SS | 1 |
| HANDLE NUT | 304SS | 1 |
| SPRING WASHER | 304SS | 1 |
| BOLTS | ASTM A193 B8 | 4-6 |
| BOLT NUTS | ASTM A194 8 | 4-6 |
| BOLT WASHERS | 304SS | 4-6 |
| HANDLE SLEEVE | PLASTIC | 1 |
| LOCKING DEVICE | 304SS | 1 |
| PIPE PLUG | BRASS | 1 |
| FLANGE | 316SS | 1 |
| SAMPLER | 304SS | 1 |
| EXTENSION | 316SS | 1 |



THERMOFLEX

Thermoflex 2136 Rue Léger, LaSalle, Québec, H8N 2L8, Canada

1-888-352-3414 514-367-1444 514-367-3193

thermoflex@bellnet.ca thermoflex.ca