

## BALL VALVE: 3-PIECE THREADED X FLANGED (B16.5)

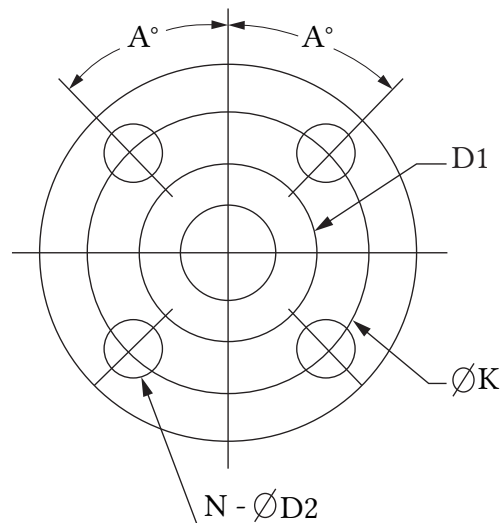
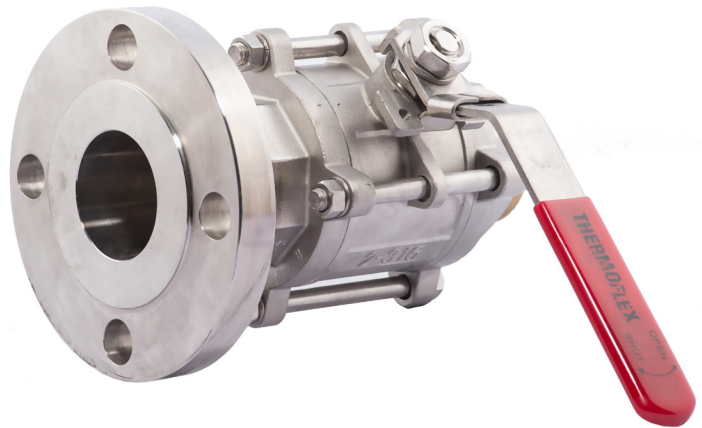
Stainless Steel

### FEATURES

- ◆ Full port 1000WOG\* ball valve
- ◆ Steam rating: 150PSI\* WSP
- ◆ Blow-out-proof stem
- ◆ ISO 5211 actuator mounting pad
- ◆ Body: ASTM A351 CF8M
- ◆ Ball: ASTM A351 CF8M
- ◆ Stem: ASTM A276 316SS
- ◆ Flange: 316SS Class 150 ANSI B16.5
- ◆ Square-head pipe plug: brass
- ◆ Adjustable stem packing
- ◆ Seat: reinforced teflon (RTFE)
- ◆ Working pressure: 150PSI\*
- ◆ Temperature range: -58°F to 450°F  
(-50°C to 232°C)
- ◆ Test standard: API 598
- ◆ Padlocking device
- ◆ Open/close position indicator

### OPTION

- ◆ Socket weld X flanged
- ◆ Butt weld X flanged
- ◆ Square-head pipe plug:  
available in 304SS/316SS
- ◆ Flange: available in 304SS



Holes applied evenly,  
symmetrically to the axis.

\* Flanged assemblies: the pressure capacity of valve and flange assembly is restricted to the flange and not the valve.

# BALL VALVE: 3-PIECE THREADED X FLANGED (B16.5)

Stainless Steel

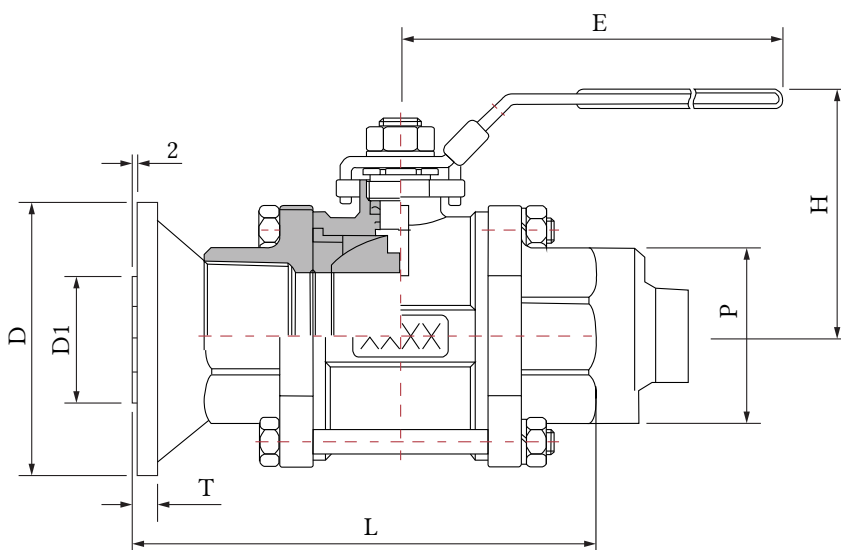
## DIMENSIONS

SIZE	L+/-5	D	K	D1	H+/-5	N	D2	P	E+/-5	T	a
½"	113	89	60.4	35	55	4	16	NPT ½"	100	11.2	45
¾"	128	98.5	70	42.9	65	4	16	NPT ¾"	125	12.7	45
1"	140	108	79	50.8	70	4	16	NPT 1"	125	14.2	45
1 ½"	169.5	127	99	73.2	95	4	16	NPT 1 ½"	150	17.2	45
2"	192	152.4	120.6	92	100	4	19	NPT 2"	195	19	45
3"	246.5	190.5	152.5	127	135	4	19	NPT 3"	275	23.9	45

\* All dimensions recorded in millimeters

## MATERIALS LIST

PART	MATERIAL	QTY
BODY	ASTM A351 CF8M	1
CAP	ASTM A351 CF8M	2
BALL	ASTM A351 CF8M	1
STEM	ASTM A276 316SS	1
SEAT	RTFE (+15% GF)	2
PACKING	PTFE	1
GLAND	304SS	1
END SEALS	PTFE	2
THRUST WASHER	PTFE	1
HANDLE	304SS	1
HANDLE NUT	304SS	1
SPRING WASHER	304SS	1
BOLTS	ASTM A193 B8	4-6
BOLT NUTS	ASTM A194 8	4-6
BOLT WASHERS	304SS	4-6
HANDLE SLEEVE	PLASTIC	1
LOCKING DEVICE	304SS	1
PIPE PLUG	BRASS	1
FLANGE	316SS	1



# THERMOFLEX

Thermoflex 2136 Rue Léger, LaSalle, Québec, H8N 2L8, Canada

☎ 1-888-352-3414 514-367-1444 🖨 514-367-3193

✉ thermoflex@bellnet.ca 🌐 thermoflex.ca