

BALL VALVE: 2-PIECE THREADED

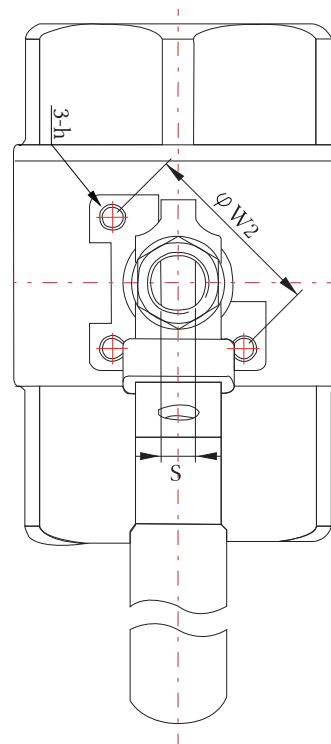
Stainless Steel

FEATURES

- ◆ Full port 1000WOG ball valve
- ◆ Steam rating: 150PSI WSP
- ◆ Blow-out-proof stem
- ◆ Body: ASTM A351 CF8M
- ◆ Ball: ASTM A351 CF8M
- ◆ Stem: ASTM A276 316SS
- ◆ Adjustable stem packing
- ◆ Seat: reinforced teflon (RTFE)
- ◆ Working pressure: 1000PSI
- ◆ Temperature range: -58°F to 450°F (-50°C to 232°C)
- ◆ Test standard: API 598
- ◆ Padlocking device
- ◆ Open/close position indicator

OPTION

- ◆ 1/4" – 1" working pressure 2000PSI (standard port)
- ◆ 1 1/4" – 2" working pressure 1500PSI (standard port)



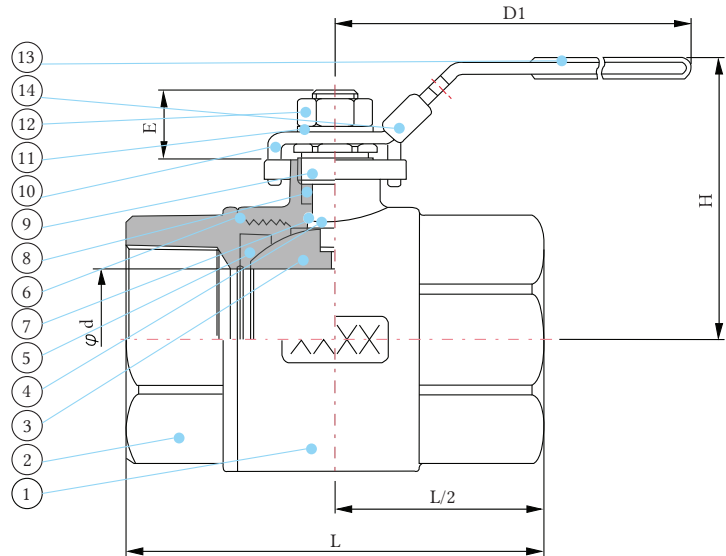
BALL VALVE: 2-PIECE THREADED

Stainless Steel

DIMENSIONS											
SIZE	d	E	L	L2	H	S	D1	W2	h	CV	WT
¼"	11	15.5	57.8	28.8	57.2	5.45	103	-	-	16	0.57
⅜"	12.5	15.5	57.8	28.8	57.2	5.45	103	-	-	16	0.53
½"	15	14.5	61.7	30.7	59.1	5.45	103	-	-	26	0.66
¾"	20	21	70.1	35	62.6	5.45	103	-	-	55	0.93
1"	25	19.5	81.3	40.2	70.7	6.2	127	-	-	110	1.54
1 ¼"	32	27.9	96	47.2	76.2	6.2	127	-	-	180	2.42
1 ½"	38	27.5	112.5	55.6	89.1	9.4	153	-	-	270	4.10
2"	50.8	26.7	126	62.4	98.2	9.4	193	-	-	500	6.28
2 ½"	65	26	168.5	85	110.6	9.4	193	70	M8	800	13.77
3"	80	38	191.4	95.9	124	12	279	102	M10	1150	22.95
4"	100	48	216.5	108.3	168.5	16	335	102	M10	2120	37.89

* All dimensions recorded in millimeters

MATERIALS LIST			
No	PART	MATERIAL	QTY
1	BODY	ASTM A351 CF8M	1
2	CAP	ASTM A351 CF8M	1
3	BALL	ASTM A351 CF8M	1
4	STEM	ASTM A276 316SS	1
5	SEAT	RTFE (+15% GF)	2
6	GASKET	PTFE	1
7	THRUST WASHER	PTFE	1
8	PACKING	PTFE	1
9	GLAND	304SS	1
10	HANDLE	304SS	1
11	SPRING WASHER	304SS	1
12	HANDLE NUT	304SS	1
13	HANDLE SLEEVE	PLASTIC	1
14	LOCKING DEVICE	304SS	1



THERMOFLEX

Thermoflex 2136 Rue Léger, LaSalle, Québec, H8N 2L8, Canada
 1-888-352-3414 514-367-1444 514-367-3193
 thermoflex@bellnet.ca thermoflex.ca