

## **BALL VALVE: 3-PIECE FLANGED X FLANGED (B16.24/B16.10)**

Brass

### **FEATURES**

- ◆ Standard port 600WOG\* ball valve
- ◆ Saturated steam: 150PSI\*
- ◆ Blow-out-proof stem
- ◆ Body: bronze
- ◆ Ball: brass with hard chrome plate
- ◆ Stem: bronze
- ◆ O-Rings: fluorocarbon rubber
- ◆ Seats: teflon (PTFE)
- ◆ Flange: brass/cast bronze Class 150 ANSI B16.24
- ◆ Face to face: ANSI B16.10
- ◆ Prolonged life expectancy
- ◆ Working pressure: 600PSI\*
- ◆ Temperature range: -50°F to 250°F (-45.5°C to 121°C)
- ◆ Open/close position indicator

### **OPTION**

- ◆ Padlocking device



\* Flanged assemblies: the pressure capacity of valve and flange assembly is restricted to the flange and not the valve.

# BALL VALVE: 3-PIECE FLANGED X FLANGED (B16.24/B16.10)

## DIMENSIONS

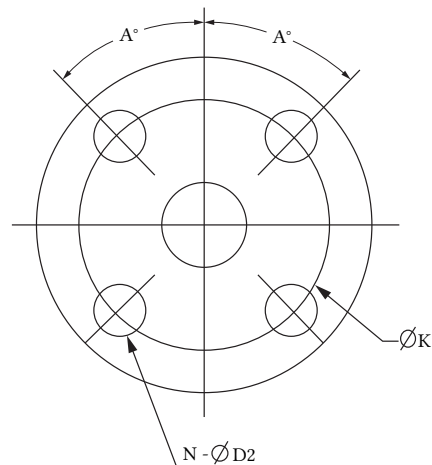
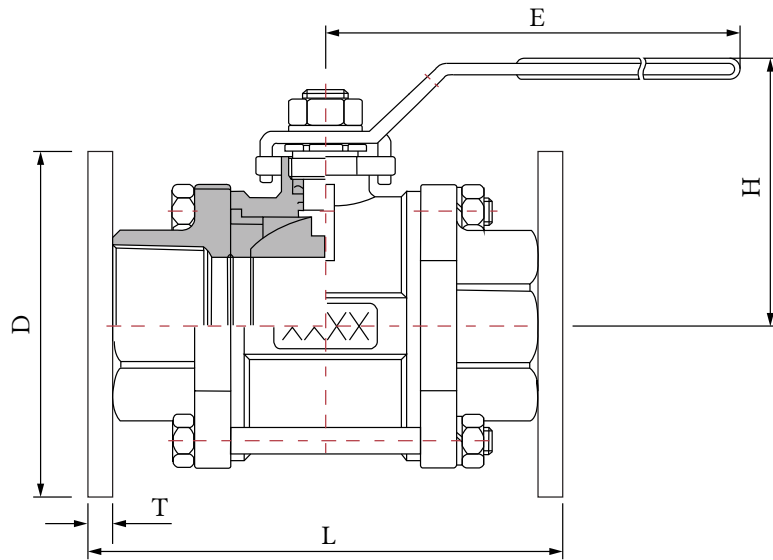
SIZE	L	D	K	H+/-5	N	D2	E+/-5	T min	A
3"	203	191	152.5	155	4	19	175	16	90

(d) -0/+10 "D"

\* All dimensions recorded in millimeters

## MATERIALS LIST

No	PART	MATERIAL	QTY
1	HANDLE NUT	304SS	1
2	HANDLE	GALVANIZED/304SS	1
3	PACKING GLAND	BRASS PRECISION MACHINED	1
4	PACKING	PTFE	1
5	GROUNDING WASHER	BRASS PRECISION MACHINED	1
6	BODY BOLTS	304SS	4
7	CAP	BRONZE	2
8	O-RINGS	FLUOROCARBON RUBBER	2
9	SEAT	TEFLON (PTFE)	2
10	BALL	BRASS + HARD CHROME PLATE	1
11	BODY	BRONZE	1
12	THRUST WASHER	RTFE (+15% GF)	1
13	STEM	SILICON BRONZE PRECISION MACHINED	1
14	BODY NUT	304SS	4
15	LOCKING DEVICE OPTION*	304SS	1



Holes applied evenly, symmetrically to the axis.

# THERMOFLEX

Thermoflex 2136 Rue Léger, LaSalle, Québec, H8N 2L8, Canada

1-888-352-3414 514-367-1444 514-367-3193

thermoflex@bellnet.ca thermoflex.ca