

BALL VALVE: 3-PIECE THREADED X FLANGED (B16.24)

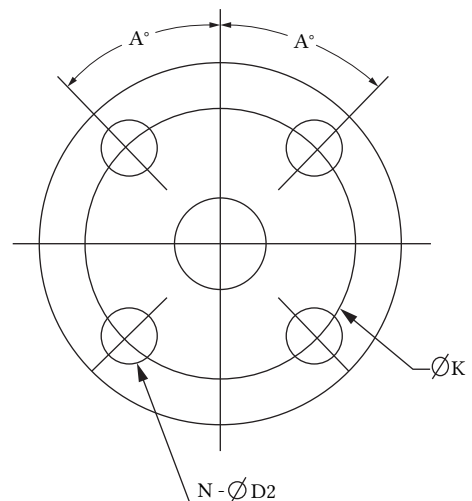
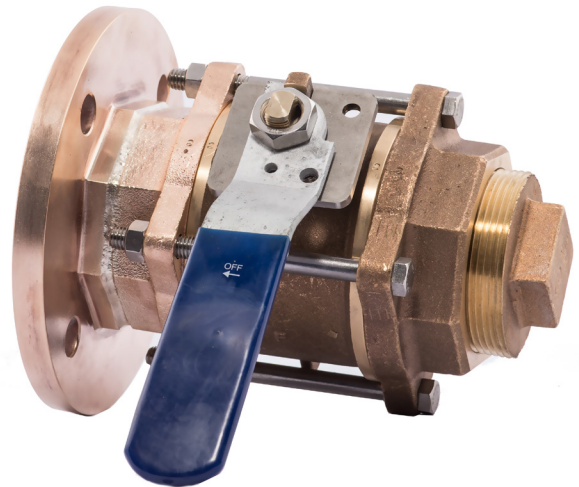
Brass

FEATURES

- ◆ Standard port 600WOG* ball valve
- ◆ Saturated steam: 150PSI*
- ◆ Blow-out-proof stem
- ◆ Body: bronze
- ◆ Ball: brass with hard chrome plate
- ◆ Stem: bronze
- ◆ O-Rings: fluorocarbon rubber
- ◆ Seats: teflon (PTFE)
- ◆ Flange: brass/cast bronze Class 150 ANSI 16.24
- ◆ Prolonged life expectancy
- ◆ Working pressure: 600PSI*
- ◆ Temperature range: -50°F to 250°F (-45.5°C to 121°C)
- ◆ Open/close position indicator

OPTION

- ◆ Padlocking device



Holes applied evenly,
symmetrically to the axis.

* Flanged assemblies: the pressure capacity of valve and flange assembly is restricted to the flange and not the valve.

BALL VALVE: 3-PIECE THREADED X FLANGED (B16.24)

Brass

DIMENSIONS

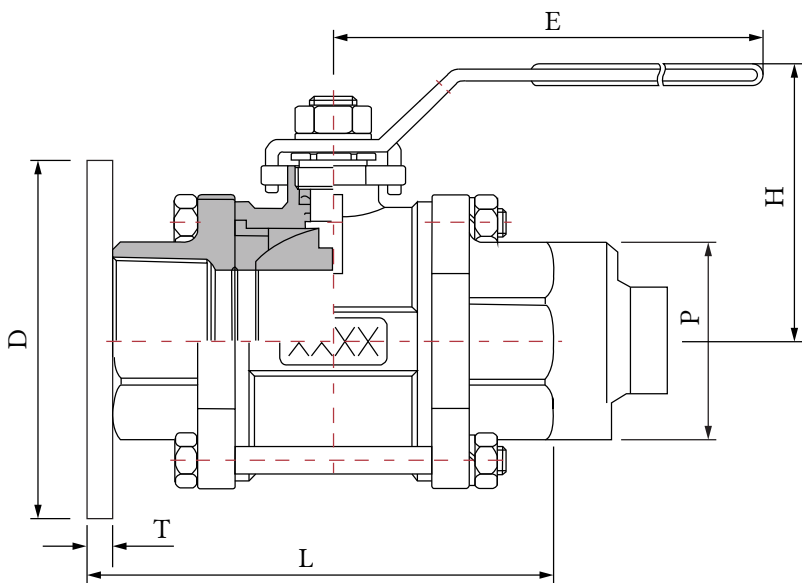
SIZE	L+/-5	D(d)	K	H+/-5	N	D2	P	E+/-5	T min	a
3"	200	191	152.5	105	4	19	NPT 3"	200	16	90

(d) -0/+10 "D"

* All dimensions recorded in millimeters

MATERIALS LIST

No	PART	MATERIAL	QTY
1	HANDLE NUT	304SS	1
2	HANDLE	GALVANIZED/304SS	1
3	PACKING GLAND	BRASS PRECISION MACHINED	1
4	PACKING	PTFE	1
5	GROUNDING WASHER	BRASS PRECISION MACHINED	1
6	BODY BOLTS	304SS	4
7	CAP	BRONZE	2
8	O-RINGS	FLUOROCARBON RUBBER	2
9	SEAT	TEFLON (PTFE)	2
10	BALL	BRASS + HARD CHROME PLATE	1
11	BODY	BRONZE	1
12	THRUST WASHER	RTFE (+15% GF)	1
13	STEM	SILICON BRONZE PRECISION MACHINED	1
14	BODY NUT	304SS	4
15	LOCKING DEVICE OPTION*	304SS	1



THERMOFLEX

Thermoflex 2136 Rue Léger, LaSalle, Québec, H8N 2L8, Canada

☎ 1-888-352-3414 514-367-1444 🖨 514-367-3193

✉ thermoflex@bellnet.ca 🌐 thermoflex.ca

B-6

DISCLAIMER: While every effort has been made to ensure the accuracy of the data herein, the data cited are subject to change without notice or liability.