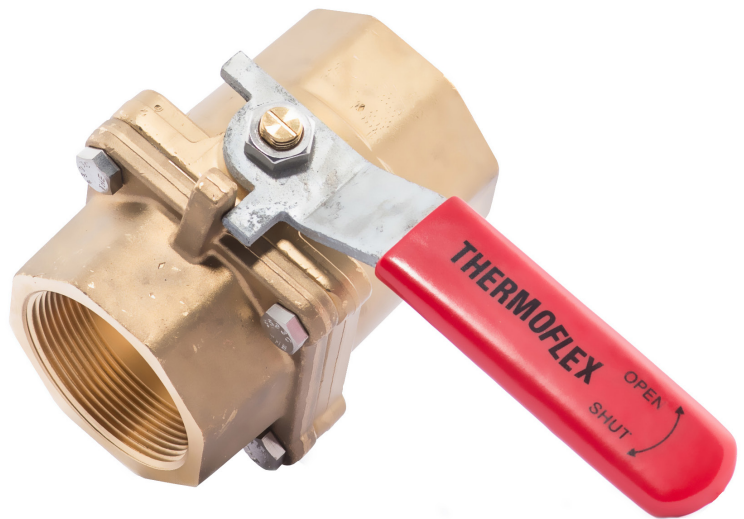


## **BALL VALVE: 2-PIECE THREADED** Brass

### **FEATURES**

- ◆ Standard port 400WOG ball valve
- ◆ Self-cleaning and self-adjusting compressed seal
- ◆ Double O-ring stem
- ◆ Body: forged brass precision machined
- ◆ Ball: brass precision machined
- ◆ Stem: brass/chrome plated precision machined
- ◆ O-rings: Buna-N (NBR)
- ◆ Seat: Buna-N (NBR)
- ◆ Prolonged life expectancy
- ◆ Working pressure: 400PSI
- ◆ Temperature range: -50°F to 250°F (-45.5°C to 121°C)
- ◆ Open/close position indicator



### **OPTION**

- ◆ Padlocking device
- ◆ Sampling device

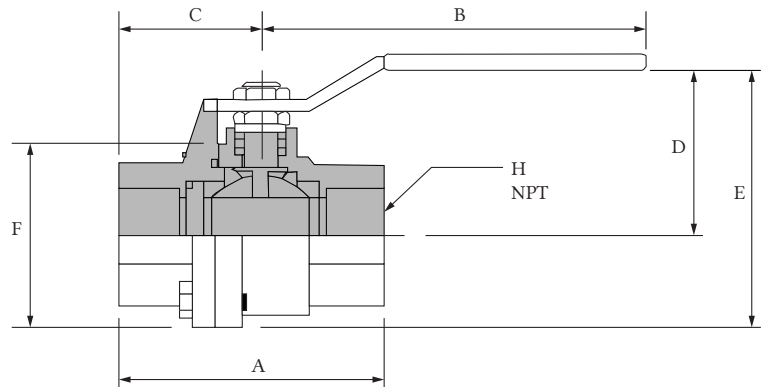
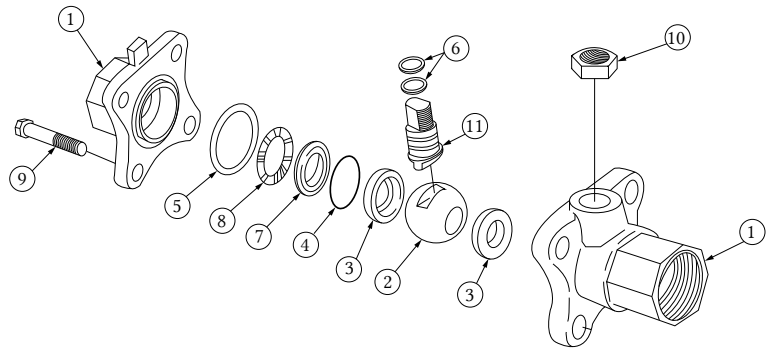
# BALL VALVE: 2-PIECE THREADED

Brass

DIMENSIONS									
SIZE	PORT	A	B	C	D	E	F	H	WT
¼"	9.5	62.7	95.25	34.3	37.3	58.2	41.4	¼" NPT	1.0
½"	9.5	65.5	95.25	35.5	37.3	58.2	41.15	½" NPT	1.5
¾"	12.7	67.3	114.3	36.3	45.5	70.86	50.8	¾" NPT	2.5
1"	17.5	81.3	112.8	43.2	47.5	77	58.67	1" NPT	3.0
1 ½"	30.2	108.2	147.5	57.15	65	102.1	74.4	1 ½" NPT	4.5
2"	34.9	117.1	147.57	60.7	67.8	110	84.3	2" NPT	6.75

\* All dimensions recorded in millimeters

MATERIALS LIST			
No	PART	MATERIAL	QTY
1	BODY	FORGED BRASS	2
2	BALL	BRASS PRECISION MACHINED	1
3	SEATS	Buna-N (NBR)	2
4	SEAT O-RING	Buna-N (NBR)	1
5	JOINT O-RING	Buna-N (NBR)	1
6	STEM O-RING	Buna-N (NBR)	2
7	DISC	BRASS PRECISION MACHINED	1
8	SPRING	304SS	1
9	CAP SCREW	304SS	4
10	JAM NUT	304SS	1
11	STEM	BRASS/CHROME PLATED PRECISION MACHINED	1
	HANDLE	GALVANIZED/304SS	1
	HANDLE SLEEVE	PLASTIC	1
	LOCKING DEVICE OPTION*	304SS	1
	SAMPLING DEVICE OPTION*	BRASS PRECISION MACHINED	1



# THERMOFLEX

Thermoflex 2136 Rue Léger, LaSalle, Québec, H8N 2L8, Canada

1-888-352-3414 514-367-1444 514-367-3193

thermoflex@bellnet.ca thermoflex.ca

B-1

**DISCLAIMER:** While every effort has been made to ensure the accuracy of the data herein, the data cited are subject to change without notice or liability.