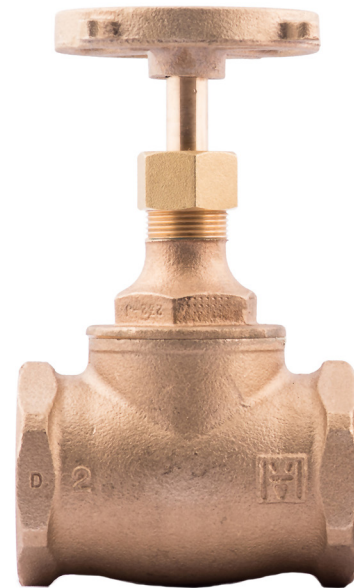


GLOBE VALVE: THREADED

Brass

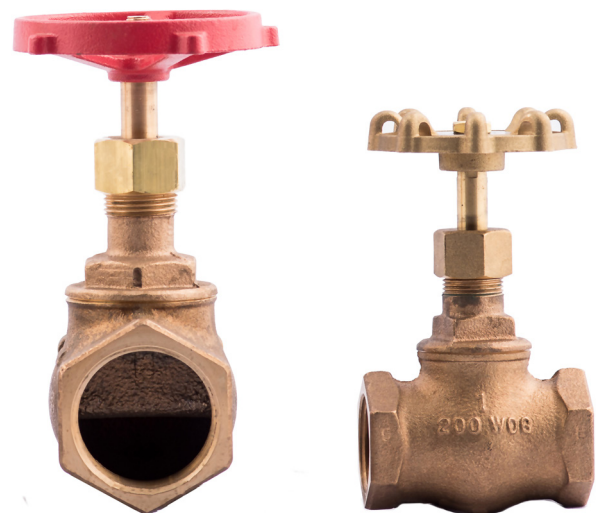
FEATURES

- ◆ 200WOG globe valve
- ◆ Rising stem
- ◆ Disc: teflon
- ◆ Body: ASTM B62
- ◆ Threaded bonnet
- ◆ Gland packed
- ◆ NPT threaded end connections
Class 125
- ◆ Temperature range: -50°F to 250°F
(-45.5°C to 121°C)
- ◆ Test standard: MSS SP-80
- ◆ Open/close position indicator



OPTION

- ◆ Padlocking device
- ◆ Graduated open/close position indicator



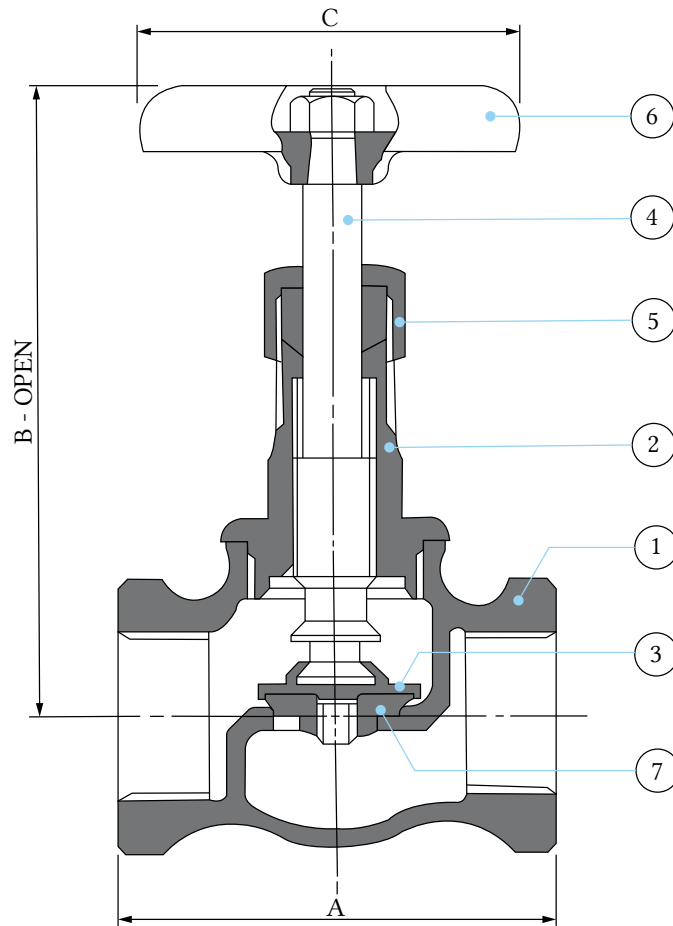
GLOBE VALVE: THREADED

Brass

DIMENSIONS			
SIZE	A	B	C
½"	51.6	92	54
¾"	65	84	70
1"	74.6	111	70
1 ½"	93.6	146	95
2"	112.7	171.5	101.6

* All dimensions recorded in millimeters

MATERIALS LIST			
No	PART	MATERIAL	QTY
1	BODY	BRONZE ASTM B62	1
2	BONNET	BRONZE ASTM B62	1
3	DISC HOLDER	BRASS ASTM B283 C37700	1
4	STEM	BRASS ASTM B283 C37700	1
5	STUFF NUT	BRASS ASTM B283 C37700	1
6	HAND WHEEL	BRONZE ASTM B62	1
7	DISC	PTFE	1
8	NAME PLATE	ALUMINUM	1



THERMOFLEX

Thermoflex 2136 Rue Léger, LaSalle, Québec, H8N 2L8, Canada

☎ 1-888-352-3414 514-367-1444 🖨 514-367-3193

✉ thermoflex@bellnet.ca 🌐 thermoflex.ca

GLOBE VALVE: THREADED SAMPLER

Brass

FEATURES

- ◆ 200WOG globe valve
- ◆ Rising stem
- ◆ Disc: teflon
- ◆ Body: ASTM B62
- ◆ Threaded bonnet
- ◆ Gland packed
- ◆ NPT threaded end connections
Class 125
- ◆ 3/8" sampler boss
- ◆ Temperature range: -50°F to 250°F
(-45.5°C to 121°C)
- ◆ Test standard: MSS SP-80
- ◆ Open/close position indicator

OPTION

- ◆ Padlocking device
- ◆ Graduated open/close position
indicator
- ◆ 3/8" brass sampling device
- ◆ 3/8" brass pipe plug

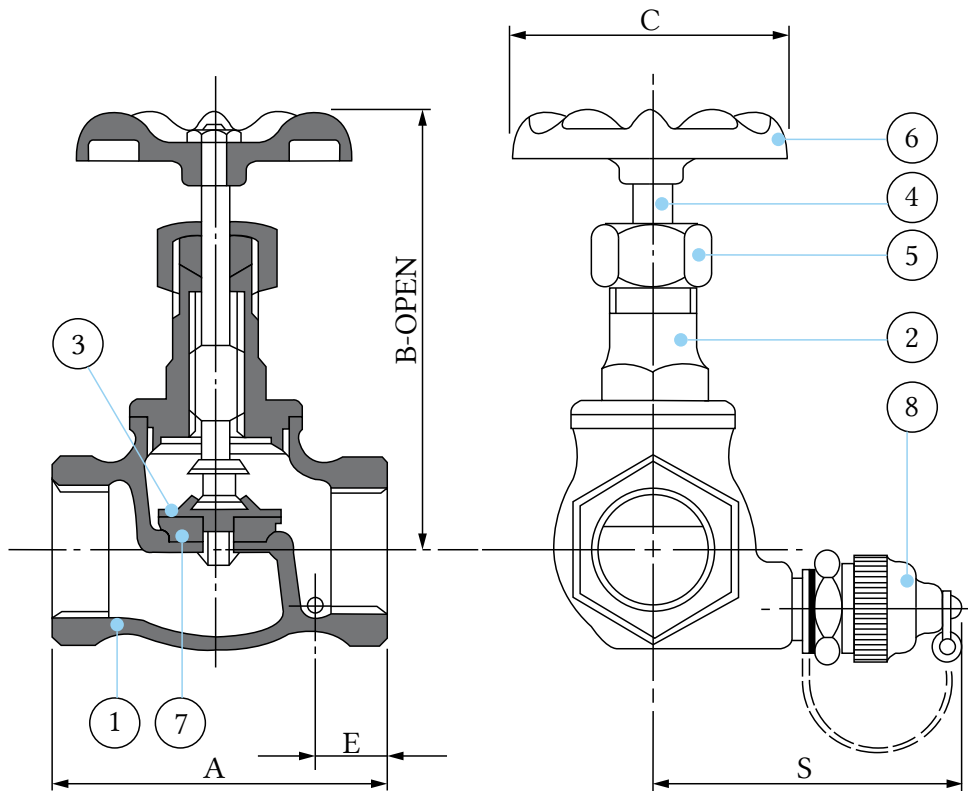


GLOBE VALVE: THREADED SAMPLER

Brass

DIMENSIONS					
SIZE	A	B	C	S	E
1"	74.6	111	70	81	17.5
1 1/2"	93.6	146	95.25	87.3	19
2"	112.7	171.5	108	93	20.6

* All dimensions recorded in millimeters



MATERIALS LIST			
No	PART	MATERIAL	QTY
1	BODY	BRONZE ASTM B62	1
2	BONNET	BRONZE ASTM B62	1
3	DISC HOLDER	BRASS ASTM B283 C37700	1
4	STEM	BRASS ASTM B283 C37700	1
5	STUFF NUT	BRASS ASTM B283 C37700	1
6	HAND WHEEL	BRONZE ASTM B62	1
7	DISC	PTFE	1
8	NAME PLATE	ALUMINUM	1
9	SAMPLING DEVICE OPTION*	BRASS PRECISION MACHINED	1

THERMOFLEX

Thermoflex 2136 Rue Léger, LaSalle, Québec, H8N 2L8, Canada

1-888-352-3414 514-367-1444 514-367-3193

thermoflex@bellnet.ca thermoflex.ca

GLOBE VALVE: THREADED X FLANGED (B16.24)

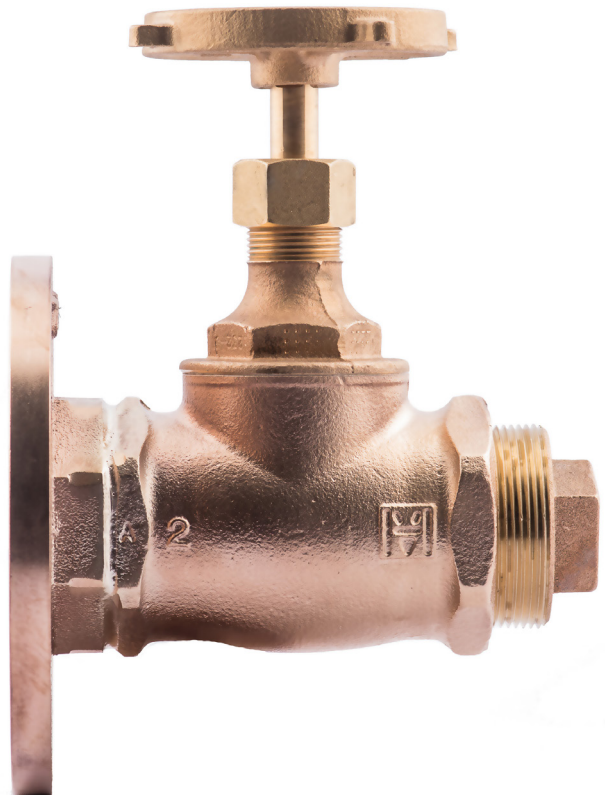
Brass

FEATURES

- ◆ 200WOG globe valve
- ◆ Rising stem
- ◆ Disc: teflon
- ◆ Body: ASTM B62
- ◆ Threaded bonnet
- ◆ Gland packed
- ◆ Flange: brass/cast bronze Class 150 ANSI 16.24
- ◆ Square head pipe plug: brass
- ◆ Temperature range: -50°F to 250°F (-45.5°C to 121°C)
- ◆ Test standard: MSS SP-80
- ◆ Open/close position indicator

OPTION

- ◆ Padlocking device
- ◆ Graduated open/close position indicator



* Flanged assemblies: the pressure capacity of valve and flange assembly is restricted to the flange and not the valve.

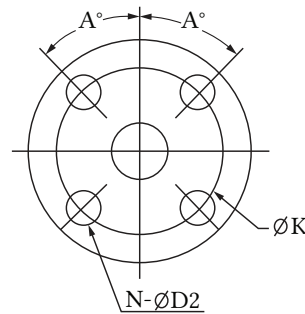
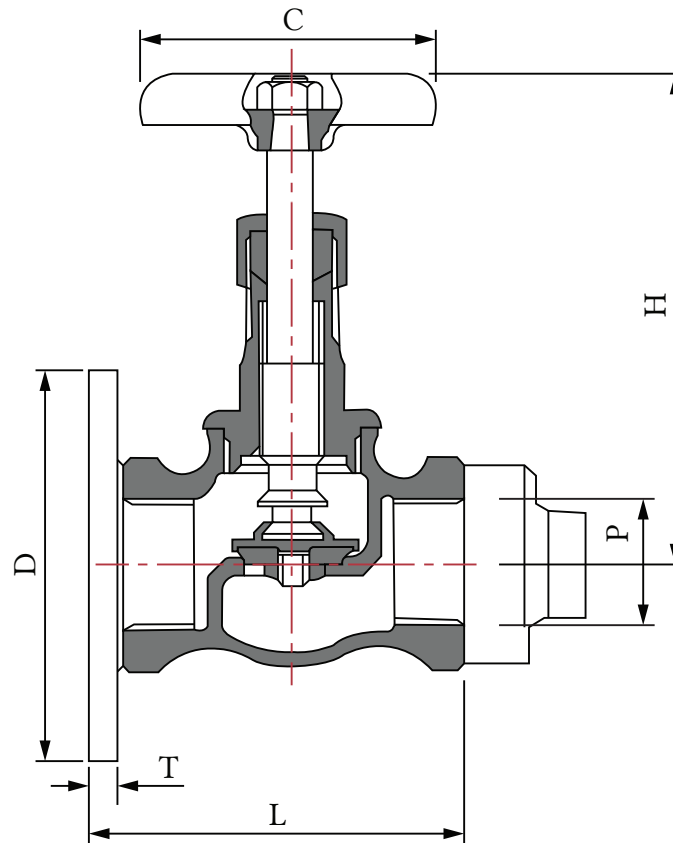
GLOBE VALVE: THREADED X FLANGED (B16.24)

Brass

DIMENSIONS										
SIZE	L+/-5	D	K	H	N	D2	P	C	T min	a
1/2"	81	89	60.4	92	4	16	NPT 1/2"	54	8	45
3/4"	93	99	70	84	4	16	NPT 3/4"	70	8.75	45
1"	103	108	79	111	4	16	NPT 1"	70	9.5	45
1 1/2"	115	127	99	146	4	16	NPT 1 1/2"	95	11	45
2"	140	152	120.6	171.5	4	19	NPT 2"	101.6	12.75	45

* All dimensions recorded in millimeters

MATERIALS LIST			
No	PART	MATERIAL	QTY
1	BODY	BRONZE ASTM B62	1
2	BONNET	BRONZE ASTM B62	1
3	DISC HOLDER	BRASS ASTM B283 C37700	1
4	STEM	BRASS ASTM B283 C37700	1
5	STUFF NUT	BRASS ASTM B283 C37700	1
6	HAND WHEEL	BRONZE ASTM B62	1
7	DISC	PTFE	1
8	NAME PLATE	ALUMINUM	1



Holes applied evenly, symmetrically to the axis.

THERMOFLEX

Thermoflex 2136 Rue Léger, LaSalle, Québec, H8N 2L8, Canada

1-888-352-3414 514-367-1444 514-367-3193

thermoflex@bellnet.ca thermoflex.ca

GLOBE VALVE: THREADED X FLANGED (B16.24) SAMPLER

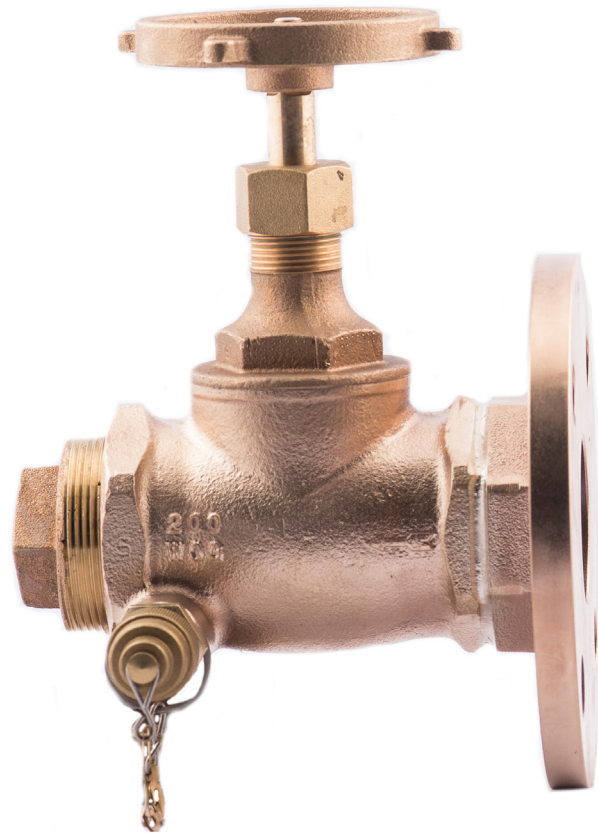
Brass

FEATURES

- ◆ 200WOG globe valve
- ◆ Rising stem
- ◆ Disc: teflon
- ◆ Body: ASTM B62
- ◆ Threaded bonnet
- ◆ Gland packed
- ◆ Flange: brass/cast bronze Class 150 ANSI 16.24
- ◆ Square head pipe plug: brass
- ◆ 3/8" sampler boss
- ◆ Temperature range: -50°F to 250°F (-45.5°C to 121°C)
- ◆ Test standard: MSS SP-80
- ◆ Open/close position indicator

OPTION

- ◆ Padlocking device
- ◆ Graduated open/close position indicator
- ◆ 3/8" brass sampling device
- ◆ 3/8" brass pipe plug



* Flanged assemblies: the pressure capacity of valve and flange assembly is restricted to the flange and not the valve.

GLOBE VALVE: THREADED X FLANGED (B16.24) SAMPLER

Brass

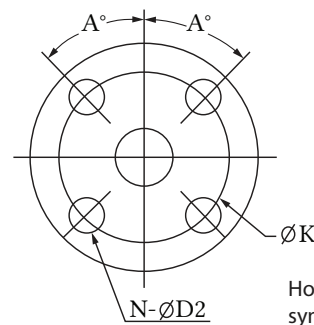
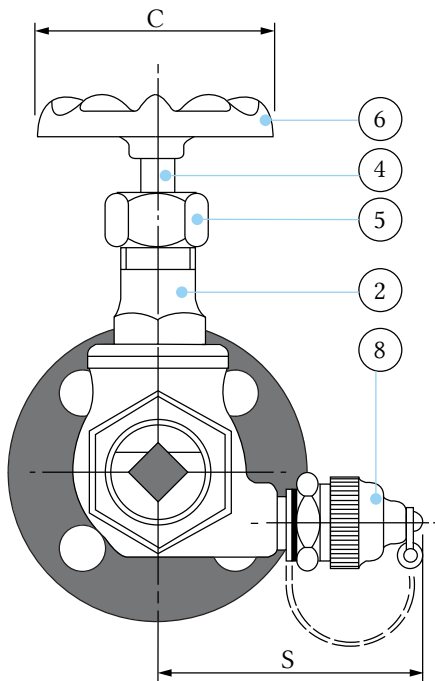
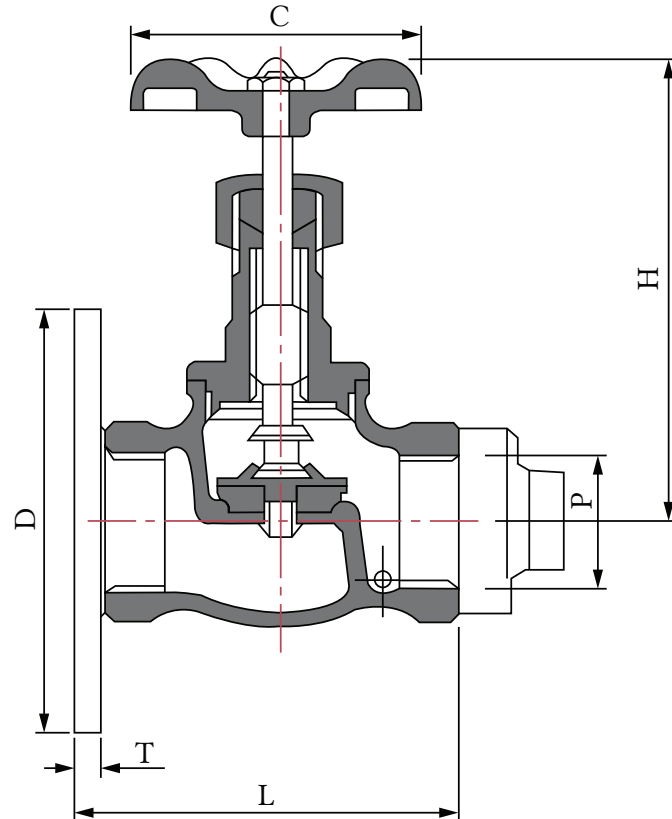
DIMENSIONS

SIZE	L+/-5	D	K	H	N	D2	P	C	T min	a	S
1"	103	108	79	111	4	16	NPT 1"	70	9.5	45	81
1 1/2"	115	127	99	146	4	16	NPT 1 1/2"	95	11	45	87.3
2"	140	152	120.6	171.5	4	19	NPT 2"	101.6	12.75	45	93

* All dimensions recorded in millimeters

MATERIALS LIST

No	PART	MATERIAL	QTY
1	BODY	BRONZE ASTM B62	1
2	BONNET	BRONZE ASTM B62	1
3	DISC HOLDER	BRASS ASTM B283 C37700	1
4	STEM	BRASS ASTM B283 C37700	1
5	STUFF NUT	BRASS ASTM B283 C37700	1
6	HAND WHEEL	BRONZE ASTM B62	1
7	DISC	PTFE	1
8	NAME PLATE	ALUMINUM	1
9	SAMPLING DEVICE OPTION*	BRASS PRECISION MACHINED	1



Holes applied evenly,
symmetrically to the axis.

THERMOFLEX

Thermoflex 2136 Rue Léger, LaSalle, Québec, H8N 2L8, Canada

1-888-352-3414 514-367-1444 514-367-3193

thermoflex@bellnet.ca thermoflex.ca

F-4

DISCLAIMER: While every effort has been made to ensure the accuracy of the data herein, the data cited are subject to change without notice or liability.

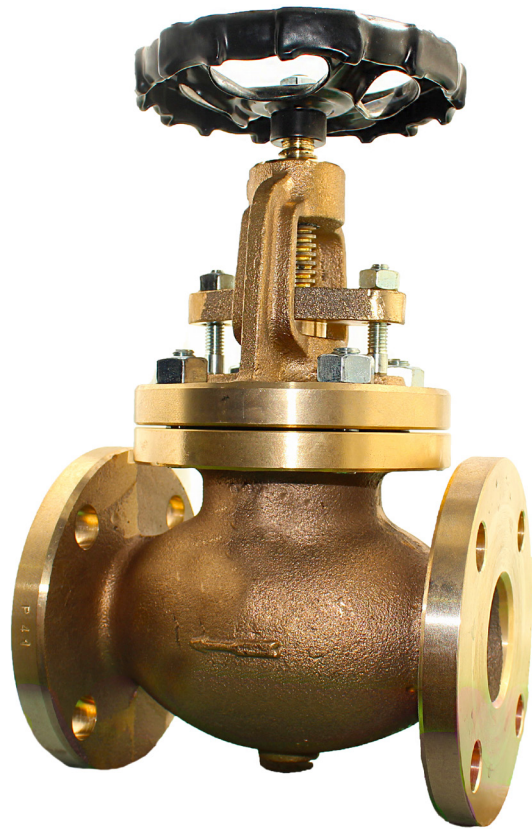
GLOBE VALVE OS&Y: FLANGED X FLANGED - CLASS 150 (B16.24/B16.10) Brass

FEATURES

- ◆ Class 150 globe valve
- ◆ Rising stem (RS) bolted bonnet OS&Y
- ◆ Disc: ASTM B62
- ◆ Body: ASTM B62
- ◆ Stem: high tensile bronze
- ◆ Bonnet: ASTM B62
- ◆ Temperature range: -50°F to 250°F
(-45.5°C to 121°C)
- ◆ Face to face: ANSI B16.10
- ◆ Flange: Class 150 ANSI 16.24
- ◆ Open/close position indicator

OPTION

- ◆ Padlocking device
- ◆ Graduated open/close position indicator
- ◆ Sampling device



These valves are also available in cast steel; dimensions can be specified in Metric, U.S. Standard or JIS.

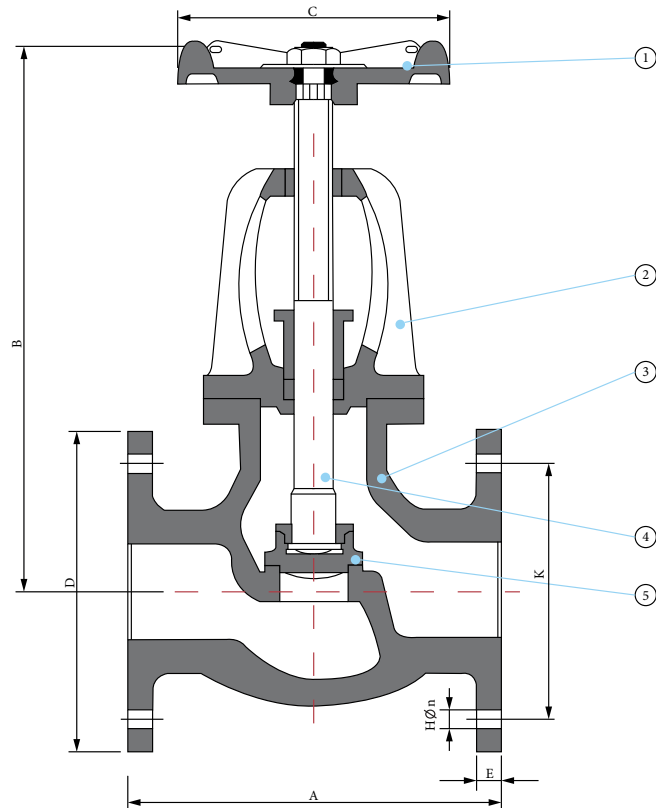
GLOBE VALVE OS&Y: FLANGED X FLANGED - CLASS 150 (B16.24/B16.10)

Brass

DIMENSIONS								
SIZE	A	B	C	D	E	H	n	K
½"	140	168.2	89	89	7.9	16	4	60.3
¾"	140	168.2	89	99	8.75	16	4	69.9
1"	152.4	184	101.6	108	9.5	16	4	79.4
1 ¼"	165	184	101.6	118	10.3	16	4	88.9
1 ½"	178	203.2	114	127	11	16	4	98.4
2"	203	219	140	152.4	12.7	19	4	120.7
2 ½"	216	246	140	178	14.25	19	4	139.7
3"	241	260.3	152.4	190.5	15.875	19	4	152.4
3 ½"	266.7	260.3	203.2	216	17.5	19	4	177.8
4"	292	311	203.2	228.6	17.5	19	8	190.5
5"	330.2	409.5	228.6	254	19	22	8	215.9
6"	406.4	431.8	254	279.4	20.6	22	8	241.3
8"	495	571.5	305	342.9	23.8	22	8	298.5
10"	622	673	355.5	406.4	25.4	25.4	12	362
12"	698.5	736.5	457.2	482.6	27	25.4	12	432

* All dimensions recorded in millimeters

MATERIALS LIST			
No	PART	MATERIAL	QTY
1	HAND WHEEL	STEEL ALLOY	1
2	BONNET	BRONZE ASTM B62	1
3	BODY	BRONZE ASTM B62	1
4	SPINDLE	HIGH TENSILE BRONZE	1
5	DISC	BRONZE ASTM B62	1



THERMOFLEX

Thermoflex 2136 Rue Léger, LaSalle, Québec, H8N 2L8, Canada

1-888-352-3414 514-367-1444 514-367-3193

thermoflex@bellnet.ca thermoflex.ca

GLOBE VALVE RS: FLANGED X FLANGED – CLASS 150 (B16.24/B16.10) Brass

FEATURES

- ◆ Class 150 globe valve
- ◆ Rising stem (RS) screw bonnet
- ◆ Disc: JIS BC6
- ◆ Body: JIS BC6
- ◆ Stem: JIS 3771BD
- ◆ Packing: non-asbestos
- ◆ Temperature range: -50°F to 250°F
(-45.5°C to 121°C)
- ◆ Face to face: ANSI B16.10
- ◆ Flange: Class 150 ANSI 16.24
- ◆ Open/close position indicator

OPTION

- ◆ Padlocking device
- ◆ Graduated open/close position indicator
- ◆ Sampling device



These valves are also available in cast steel; dimensions can be specified in Metric, U.S. Standard or JIS.

* *Flanged assemblies: the pressure capacity of valve and flange assembly is restricted to the flange and not the valve.*

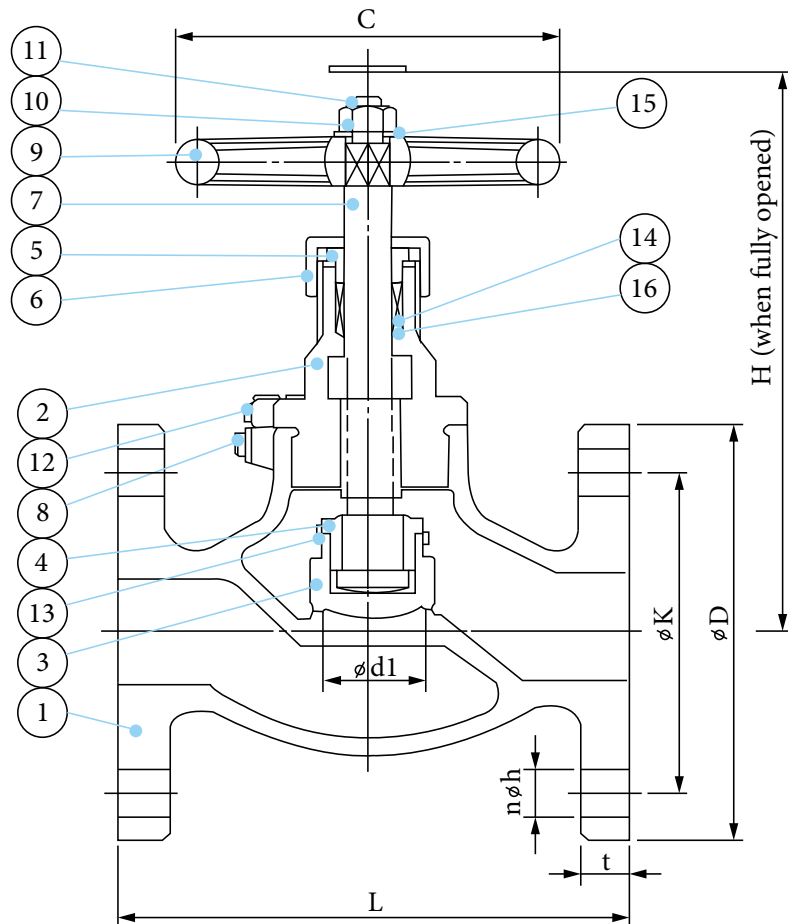
GLOBE VALVE RS: FLANGED X FLANGED – CLASS 150 (B16.24/B16.10)

Brass

DIMENSIONS								
SIZE	D1	D	L	K	n	h	t	C
½"	20	89	108	60.3	4	15.9	7.9	48
¾"	25	98	118	69.9	4	15.9	8.7	48
1"	30	108	127	79.4	4	15.9	9.5	55
1 ¼"	37	117	140	88.9	4	15.9	10.3	68
1 ½"	45	127	165	98.4	4	15.9	11.1	68

* All dimensions recorded in millimeters

MATERIALS LIST			
No	PART	MATERIAL	QTY
1	BODY	BC6	1
2	BONNET	BC6	1
3	DISC	BC6	1
4	DISC NUT	C3771BD	1
5	PACKING GLAND	C3771BD	1
6	PACKING GLAND NUT	C3604BD	1
7	STEM	C3771BD	1
8	SET SCREW	C2700W	2
9	HANDWHEEL	FC200	1
10	HEXAGON NUT	C3604BD	1
11	SPLIT PIN	C2600W	1
12	LOCK PLATE	C2600P	1
13	DISC LOCK WASHER	C2600P	1
14	PACKING	NON ASBESTOS	1
15	NAME PLATE	C2801P	1
16	BONNET BUSH	C3771BD	1



THERMOFLEX

Thermoflex 2136 Rue Léger, LaSalle, Québec, H8N 2L8, Canada

1-888-352-3414 514-367-1444 514-367-3193

thermoflex@bellnet.ca thermoflex.ca