

GATE VALVE: THREADED

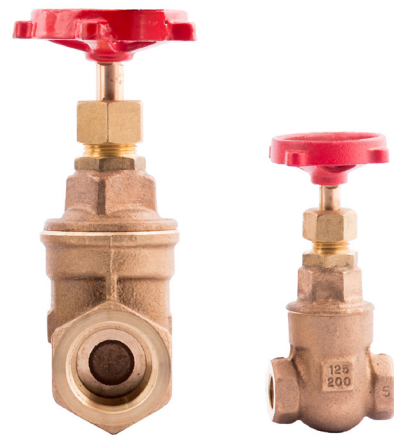
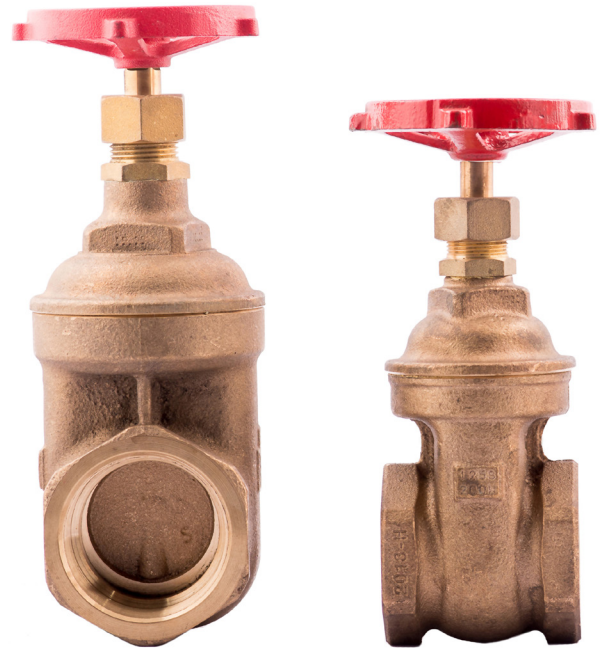
Brass

FEATURES

- ◆ Full port 200WOG gate valve
- ◆ Non-rising stem
- ◆ Disc: ASTM B62
- ◆ Body: ASTM B62
- ◆ Threaded bonnet
- ◆ Gland packed
- ◆ NPT threaded end connections
Class 125
- ◆ Temperature range: -50°F to 250°F
(-45.5°C to 121°C)
- ◆ Test standard: MSS SP-80
- ◆ Open/close position indicator

OPTION

- ◆ Padlocking device
- ◆ Graduated open/close
position indicator



GATE VALVE: THREADED

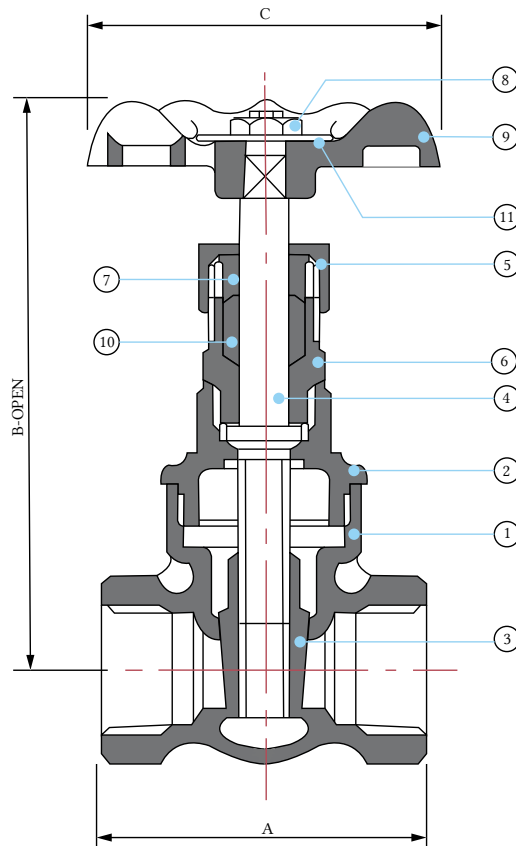
Brass

DIMENSIONS				
SIZE	A	B	C	CV
1/4"	44.5	92.1	50.8	5.6
3/8"	46.1	92.1	50.8	10.7
1/2"	50.8	92.1	50.8	17.6
3/4"	54	111.1	63.5	32
1"	65.1	127	69.9	54
1 1/4"	70.6	135	79.4	97
1 1/2"	71.5	161.1	88.9	135
2"	84.2	188.9	95.3	230
2 1/2"	106.4	231.8	120.7	337
3"	117.5	265.9	133.4	536
4"*	139.7	393.7	133.4	960
* 4" Split Wedge & Bolted Bonnet – does not conform to MSS SP-80				

* All dimensions recorded in millimeters

MATERIALS LIST			
No	PART	MATERIAL	QTY
1	BODY	BRONZE ASTM B62	1
2	BONNET	BRONZE ASTM B62	1
3	WEDGE	BRONZE ASTM B62	1
4	STEM	BRONZE ASTM B62	1
5	STUFF NUT	BRASS ASTM B283 C37700	1
6	CHECK NUT	BRASS ASTM B283 C37700	1
7*	GLAND	BRASS ASTM B283 C37700	1
8	WHEEL NUT	BRASS	1
9	HAND WHEEL	MALLEABLE IRON	1
10	PACKING	GRAPHITE	1
11	NAME PLATE	ALUMINUM	1

* No 7: not applicable if 1/2" or smaller.



THERMOFLEX

Thermoflex 2136 Rue Léger, LaSalle, Québec, H8N 2L8, Canada

1-888-352-3414 514-367-1444 514-367-3193

thermoflex@bellnet.ca thermoflex.ca

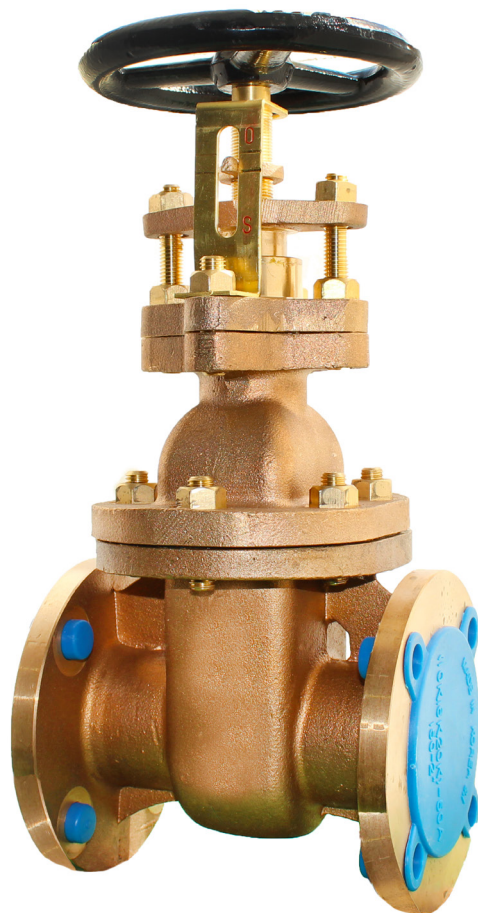
GATE VALVE NRS: FLANGED X FLANGED – CLASS 150 (B16.24/B16.10) Brass

FEATURES

- ◆ Full port Class 150 gate valve
- ◆ Non-rising stem (NRS) bolted bonnet
- ◆ Disc: ASTM B62
- ◆ Body: ASTM B62
- ◆ Stem: high tensile bronze
- ◆ Packing gland: ASTM B62
- ◆ Temperature range: -50°F to 250°F
(-45.5°C to 121°C)
- ◆ Face to face: ANSI B16.10
- ◆ Flange: Class 150 ANSI 16.24
- ◆ Open/close position indicator

OPTION

- ◆ Padlocking device
- ◆ Graduated open/close position indicator
- ◆ Sampling device



These valves are also available in cast steel; dimensions can be specified in Metric, U.S. Standard or JIS.

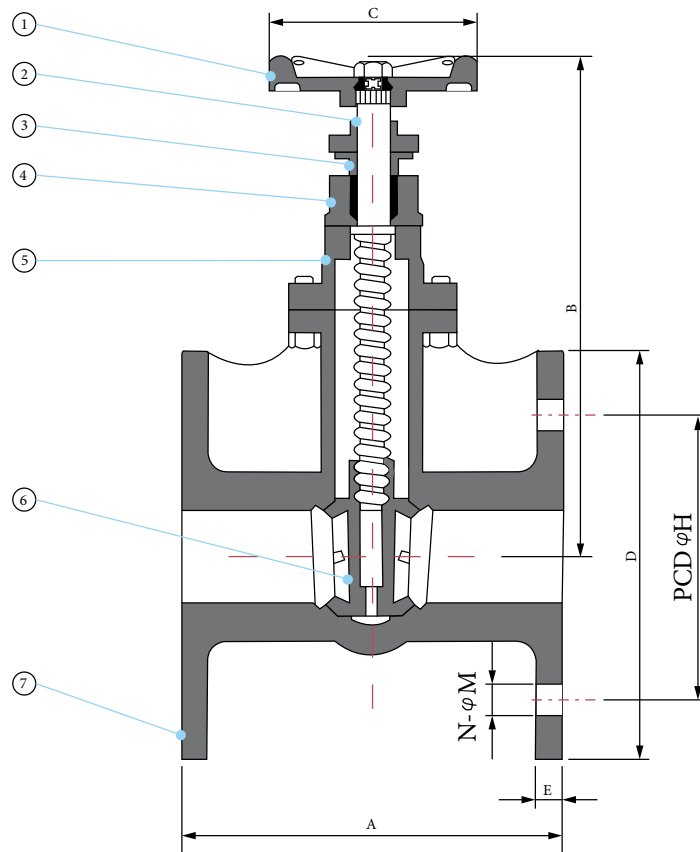
GATE VALVE NRS: FLANGED X FLANGED – CLASS 150 (B16.24/B16.10)

Brass

DIMENSIONS								
SIZE	A	B	C	D	E	N	M	H
1 ½"	165	228.6	165	127	11	4	15.7	98.5
2"	177.8	279.4	177.8	152.4	16	4	19	120.5
2 ½"	190.5	317.5	177.8	177.8	17.5	4	19	139.5
3"	203.2	342.9	203.2	190.5	19	4	19	152.5
3 ½"	215.9	368.3	228.6	215.9	22	8	19	177.8
4"	228.6	400	254	228.6	24	8	19	190.5
5"	254	431.8	254	254	24	8	22.3	216.5
6"	266.7	533.4	304.8	279.4	25.4	8	22.3	241.5
8"	292.1	635	355.6	342.9	28.5	8	22.3	298.5
10"	330.2	736.6	406.4	406.4	30	12	25.4	362
12"	355.6	876.3	457.2	482.6	31.75	12	25.4	432

* All dimensions recorded in millimeters

MATERIALS LIST			
No	PART	MATERIAL	QTY
1	HAND WHEEL	STEEL ALLOY	1
2	SPINDLE	HIGH TENSILE BRONZE	1
3	PACKING GLAND	BRONZE ASTM B62	1
4	STUFFING BOX	BRONZE ASTM B62	1
5	BONNET	BRONZE ASTM B62	1
6	WEDGE	BRONZE ASTM B62	1
7	BODY	BRONZE ASTM B62	1



THERMOFLEX

Thermoflex 2136 Rue Léger, LaSalle, Québec, H8N 2L8, Canada

1-888-352-3414 514-367-1444 514-367-3193

thermoflex@bellnet.ca thermoflex.ca

GATE VALVE RS: FLANGED X FLANGED – CLASS 150 (B16.24/B16.10)

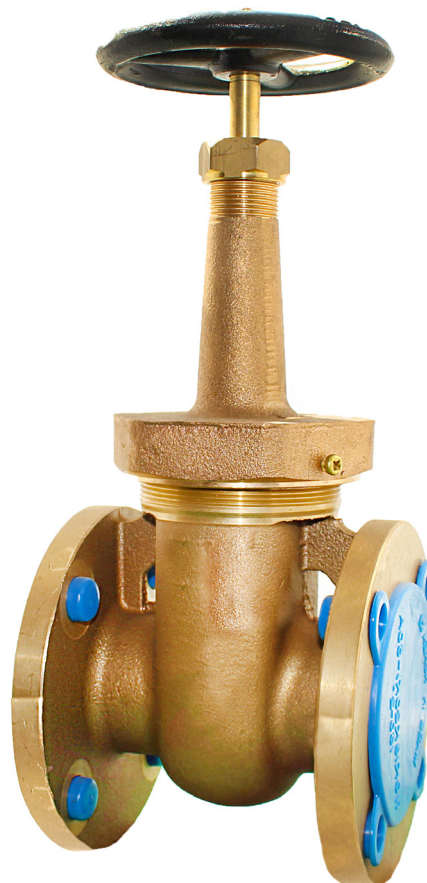
Brass

FEATURES

- ◆ Full port Class 150 gate valve
- ◆ Rising stem (RS) union bonnet
- ◆ Disc: ASTM B62
- ◆ Body: ASTM B62
- ◆ Stem: ASTM B124
- ◆ Packing: PTFE
- ◆ Temperature range: -50°F to 250°F (-45.5°C to 121°C)
- ◆ Face to face: ANSI B16.10
- ◆ Flange: Class 150 ANSI 16.24
- ◆ Open/close position indicator

OPTION

- ◆ Padlocking device
- ◆ Graduated open/close position indicator
- ◆ Sampling device



These valves are also available in cast steel; dimensions can be specified in Metric, U.S. Standard or JIS.

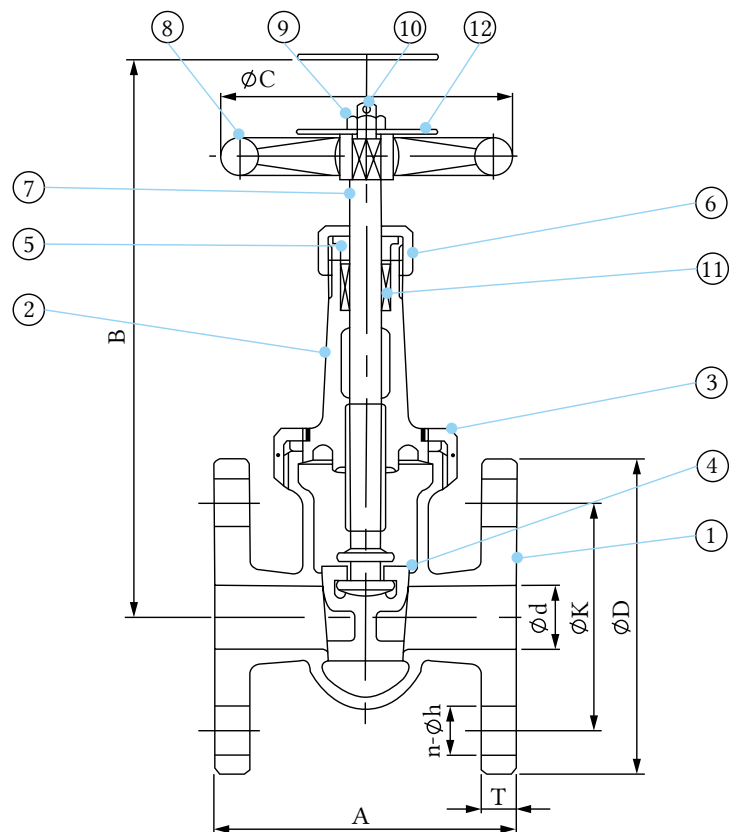
GATE VALVE RS: FLANGED X FLANGED – CLASS 150 (B16.24/B16.10)

Brass

DIMENSIONS									
SIZE	d	A	D	K	n	h	T	B	C
½"	15	108	88.9	60.3	4	15.9	7.9	175	80
¾"	20	117	98.4	69.9	4	15.9	8.7	200	80
1"	25	127	108	79.4	4	15.9	9.5	220	100
1 ¼"	32	140	117.5	88.9	4	15.9	10.3	250	100
1 ½"	40	165	127	98.4	4	15.9	11.1	290	125
2"	50	177.8	152.4	120.7	4	19	12.7	320	125
2 ½"	65	190.5	177.8	139.7	4	19	14.3	350	140
3"	80	203.2	190.5	152.4	4	19	15.9	380	140

* All dimensions recorded in millimeters

MATERIALS LIST			
No	PART	MATERIAL	QTY
1	BODY	BRONZE ASTM B62	1
2	BONNET	BRONZE ASTM B62	1
3	BONNET NUT	BRONZE ASTM B62	1
4	DISC	BRONZE ASTM B62	1
5	PACKING GLAND	ASTM B16	1
6	PACKING GLAND NUT	FORGED BRASS	1
7	STEM	ASTM B124	1
8	HAND WHEEL	ASTM A126	1
9	HEXAGON NUT	ASTM B16	1
10	SPLIT PIN	BRASS	1
11	PACKING	PTFE	1
12	NAME PLATE	ALUMINUM	1



THERMOFLEX

Thermoflex 2136 Rue Léger, LaSalle, Québec, H8N 2L8, Canada

1-888-352-3414 514-367-1444 514-367-3193

thermoflex@bellnet.ca thermoflex.ca